

COOLING CAPACITY : 24,000 - 60,000 BTU/H

HIGH-EFFICIENCY SPLIT SYSTEM AIR CONDITIONER UP TO 19 SEER



Contents

Nomenclature	2
Product Specifications.....	3
Expanded Cooling Data	4
Wiring Diagram	21
Dimensions	22
Accessories.....	22

Standard Features

- High-efficiency two-stage scroll compressor
- High-efficiency two-speed ECM condenser fan motor
- Integrated communicating ComfortBridge™ Technology
- Commissioning and diagnostics via indoor board Blue-tooth with the CoolCloud™ phone and tablet application
- Factory-installed filter drier
- Factory-installed transformer
- Factory-installed high and low-pressure switches
- High-density foam compressor sound blanket
- Copeland® ComfortAlert™ built in diagnostics
- Fully charged for 15' of tubing length
- Factory-installed sensors monitoring coil and ambient temperature
- Contactor with lug connection
- In communicating mode, only two low voltage wires to the outdoor unit are required
- AHRI Certified- ETL Listed
- Ground lug connection
- Color-coded terminal strip for non-communicating set-up
- Copper tube & enhanced aluminum fin coil
- Customized control algorithms

Cabinet Features

- Heavy-gauge galvanized steel cabinet and louvered coil guards
- Service valves with sweat connections and easy-access gauge ports
- Engineered sound control top design
- Wire fan discharge grille
- Baked-on powder-paint finish with 500-hour salt-spray approval
- Single-panel access to controls with space for field-installed accessories
- Service port and controls are accessible while unit is operating
- Compact footprint
- Rust-resistant screws
- When properly anchored, meets the 2017 Florida Building Code unit integrity requirements for hurricane-type winds (Anchor bracket kits available.)



Proper sizing and installation of equipment is critical to achieving optimal performance. Split system air conditioners and heat pumps must be matched with appropriate coil components to meet ENERGY STAR® criteria. Ask your contractor for details or visit www.energystar.gov.

LIFETIME COMPRESSOR LIMITED WARRANTY*

10 YEAR REPLACEMENT LIMITED WARRANTY*

10 YEAR PARTS LIMITED WARRANTY*

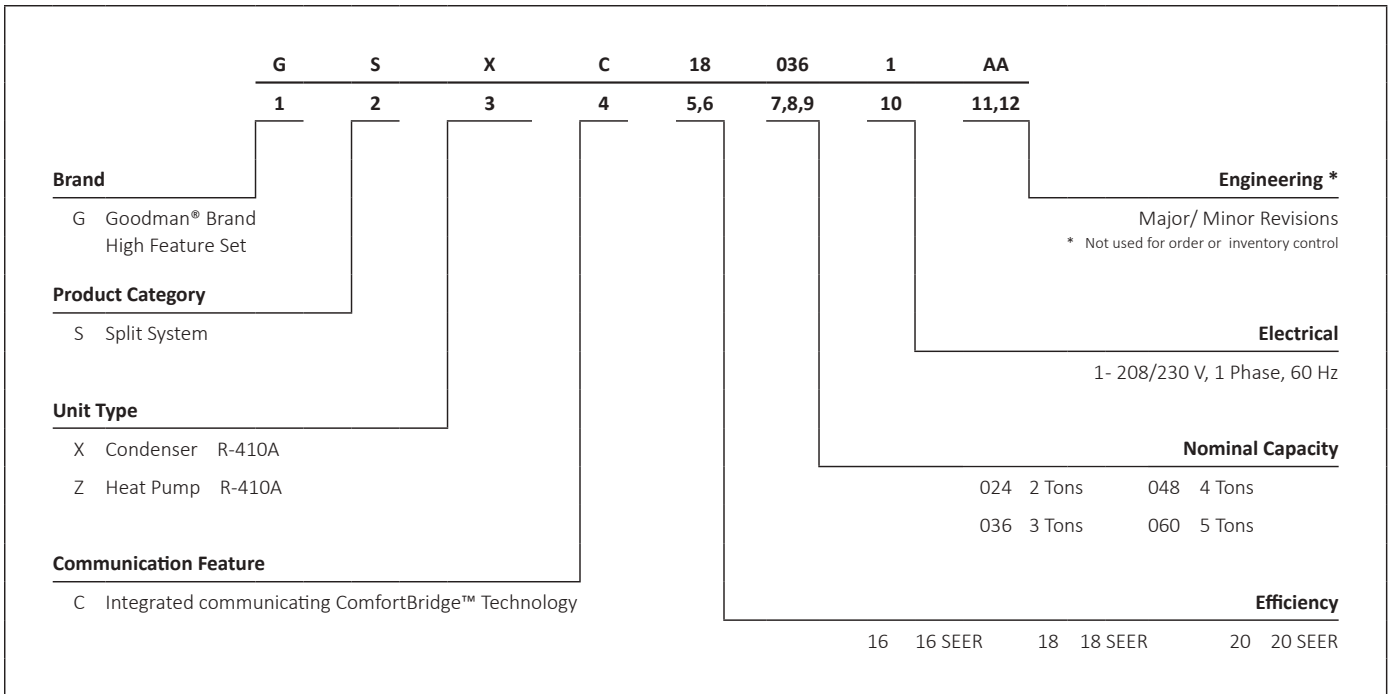






COMPANY WITH QUALITY SYSTEM CERTIFIED BY DNV GL
= ISO 9001 =

COMPANY WITH ENVIRONMENTAL SYSTEM CERTIFIED BY DNV GL
= ISO 14001 =



* Complete warranty details available from your local dealer or at www.goodmanmfg.com. To receive the Lifetime Compressor Limited Warranty (good for as long as you own your home), 10-Year Unit Replacement Limited Warranty and 10-Year Parts Limited Warranty, online registration must be completed within 60 days of installation. Online registration is not required in California or Québec.



	GSXC18 0241B*	GSXC18 0361B*	GSXC18 0481B*	GSXC18 0601B*
COOLING CAPACITY				
Nominal Cooling (BTU/h)	24,000	36,000	48,000	60,000
Decibels (High/Low) ³	71/68	71/69	74/69	74/70
COMPRESSOR				
RLA	10.0	14.8	20.4	22.9
LRA	62.9	84.2	122.1	147.2
CONDENSER FAN MOTOR				
Horsepower (RPM)	½	½	½	½
FLA	2.80	2.80	2.80	2.80
REFRIGERATION SYSTEM				
Refrigerant Line Size ¹				
Liquid Line Size ("O.D.)	⅜"	⅜"	⅜"	⅜"
Suction Line Size ("O.D.)	¾"	⅞"	1⅞"	1⅞"
Refrigerant Connection Size				
Liquid Valve Size ("O.D.)	⅜"	⅜"	⅜"	⅜"
Suction Valve Size ("O.D.)	¾"	¾"	⅞"	⅞"
Valve Connection Type	Sweat	Sweat	Sweat	Sweat
Refrigerant Charge	135	133	204	191
Expansion Device	TXV	TXV	TXV	TXV
Superheat at Service Valve	7-9°F	7-9°F	7-9°F	7-9°F
Subcooling at Service Valve	5-7°F	5-7°F	5-7°F	5-7°F
ELECTRICAL DATA				
Voltage-Phase-Hz	208/230-1-60	208/230-1-60	208/230-1-60	208/230-1
Minimum Circuit Ampacity ¹	15.3	21.3	28.3	31.4
Max. Overcurrent Protection ²	25	35	45	50
Min / Max Volts	197 / 253	197 / 253	197 / 253	197 / 253
Electrical Conduit Size	½" or ¾"	½" or ¾"	½" or ¾"	½" or ¾"
EQUIPMENT WEIGHT (LBS)	214	216	276	304
SHIP WEIGHT (LBS)	236	238	298	326
ENERGY STAR® CERTIFIED ^				

^ ENERGY STAR NOTES

- Proper sizing and installation of equipment is critical to achieving optimal performance. Split system air conditioners and heat pumps must be matched with appropriate coil components to meet ENERGY STAR® criteria. Ask your contractor for details or visit www.energystar.gov.
- The www.energystar.gov website provides up-to-date system combinations certified to meet ENERGY STAR® requirements.

¹ Wire size should be determined in accordance with National Electrical Codes; extensive wire runs will require larger wire sizes

² Must use time-delay fuses or HACR-type circuit breakers of the same size as noted.

³ Sound dBA ratings are based upon ANSI/AHRI Standard 220. Accordingly, all sound power levels are A-weighted.

NOTES

- Always check the S&R plate for electrical data on the unit being installed.
- Installer will need to supply ¾" to 1⅞" adapters for suction line connections.
- Unit is charged with refrigerant for 15' of ⅜" liquid line. System charge must be adjusted per Installation Instructions Final Charge Procedure.
- Installation of these units that require a TXV Kit to be installed on the indoor coil.
- PLEASE NOTE: the specified TXV is determined by the outdoor unit, not the indoor coil.

IDB	AIRFLOW	OUTDOOR AMBIENT TEMPERATURE																							
		65°F				75°F				85°F				95°F				105°F				115°F			
		59	63	67	71	59	63	67	71	59	63	67	71	59	63	67	71	59	63	67	71	59	63	67	71
70	kBh	17.4	17.6	18.1	-	17.2	17.4	18.0	-	16.8	17.0	17.5	-	16.0	16.2	16.7	-	15.0	15.3	15.8	-	14.2	14.4	14.9	-
	S/T	0.64	0.56	0.43	-	0.65	0.57	0.43	-	1.00	0.60	0.46	-	1.00	0.62	0.48	-	1.00	0.64	0.50	-	1.00	1.00	0.55	-
	ΔT	20	18	14	-	20	18	14	-	20	18	15	-	20	18	14	-	19	18	14	-	21	19	15	-
	Lo PR	129	130	134	-	137	138	141	-	143	145	148	-	149	151	154	-	155	156	160	-	162	164	167	-
	Hi PR	219	220	221	-	253	254	256	-	290	290	292	-	328	329	331	-	370	371	373	-	415	416	417	-
	Amps	2.9	2.9	2.9	-	3.3	3.3	3.3	-	3.7	3.7	3.7	-	4.2	4.2	4.2	-	4.7	4.7	4.7	-	5.4	5.4	5.4	-
	KW	0.84	0.84	0.84	-	0.93	0.93	0.93	-	1.03	1.03	1.03	-	1.14	1.14	1.14	-	1.27	1.26	1.26	-	1.41	1.41	1.41	-
70	kBh	17.5	17.8	18.3	-	17.4	17.6	18.1	-	16.9	17.2	17.7	-	16.1	16.4	16.9	-	15.2	15.4	15.9	-	14.3	14.6	15.1	-
	S/T	0.68	0.60	0.47	-	0.69	0.61	0.47	-	1.00	0.64	0.50	-	1.00	0.66	0.52	-	1.00	0.68	0.54	-	1.00	1.00	0.59	-
	ΔT	19	17	14	-	19	17	14	-	19	17	14	-	19	17	14	-	19	17	13	-	20	18	14	-
	Lo PR	130	132	135	-	138	140	143	-	145	146	150	-	151	152	155	-	156	158	161	-	163	165	168	-
	Hi PR	220	221	223	-	255	256	257	-	291	292	293	-	330	331	332	-	372	373	374	-	416	417	419	-
	Amps	2.9	2.9	2.9	-	3.3	3.3	3.3	-	3.7	3.7	3.7	-	4.2	4.2	4.2	-	4.8	4.8	4.7	-	5.4	5.4	5.4	-
	KW	0.84	0.84	0.84	-	0.93	0.93	0.93	-	1.04	1.04	1.03	-	1.15	1.15	1.14	-	1.27	1.27	1.27	-	1.41	1.41	1.41	-
830	kBh	17.7	18.0	18.5	-	17.6	17.8	18.4	-	17.1	17.4	17.9	-	16.4	16.6	17.1	-	15.4	15.7	16.2	-	14.5	14.8	15.3	-
	S/T	0.71	0.63	0.50	-	0.72	0.64	0.50	-	1.00	0.67	0.53	-	1.00	0.69	0.55	-	1.00	0.71	0.57	-	1.00	1.00	0.62	-
	ΔT	18	16	13	-	18	16	13	-	18	17	13	-	18	16	13	-	18	16	13	-	19	17	14	-
	Lo PR	132	133	137	-	140	141	145	-	147	148	151	-	152	154	157	-	158	160	163	-	165	167	170	-
	Hi PR	222	223	224	-	256	257	259	-	292	293	295	-	331	332	334	-	373	374	376	-	418	419	420	-
	Amps	2.9	2.9	2.9	-	3.3	3.3	3.3	-	3.8	3.8	3.8	-	4.2	4.2	4.2	-	4.8	4.8	4.8	-	5.4	5.4	5.4	-
	KW	0.85	0.85	0.84	-	0.94	0.94	0.94	-	1.04	1.04	1.04	-	1.15	1.15	1.15	-	1.27	1.27	1.27	-	1.42	1.42	1.42	-

IDB	AIRFLOW	OUTDOOR AMBIENT TEMPERATURE																							
		65°F				75°F				85°F				95°F				105°F				115°F			
		59	63	67	71	59	63	67	71	59	63	67	71	59	63	67	71	59	63	67	71	59	63	67	71
75	kBh	17.4	17.6	18.1	18.9	17.2	17.5	18.0	18.8	16.8	17.0	17.5	18.3	16.0	16.2	16.7	17.5	15.0	15.3	15.8	16.6	14.2	14.4	14.9	15.7
	S/T	0.77	0.70	0.56	0.41	1.00	0.70	0.56	0.42	1.00	0.73	0.59	0.44	1.00	0.75	0.61	0.46	1.00	1.00	0.63	0.49	1.00	1.00	0.68	0.54
	ΔT	24	22	18	15	24	22	18	15	24	22	19	15	24	22	18	15	23	22	18	15	25	23	19	16
	Lo PR	129	130	134	139	137	138	141	147	143	145	148	154	149	151	154	160	155	157	160	165	162	164	167	172
	Hi PR	219	220	222	225	254	255	256	260	290	291	292	296	329	330	331	335	370	371	373	377	415	416	418	421
	Amps	2.9	2.9	2.9	2.9	3.3	3.3	3.3	3.3	3.7	3.7	3.7	3.8	4.2	4.2	4.2	4.2	4.7	4.7	4.7	4.8	5.4	5.4	5.4	5.4
	KW	0.84	0.84	0.84	0.84	0.93	0.93	0.93	0.94	1.03	1.03	1.03	1.04	1.14	1.14	1.14	1.15	1.26	1.26	1.26	1.27	1.41	1.41	1.41	1.41
75	kBh	17.5	17.8	18.3	19.1	17.4	17.6	18.1	18.9	16.9	17.2	17.7	18.5	16.1	16.4	16.9	17.7	15.2	15.4	16.0	16.7	14.3	14.6	15.1	15.9
	S/T	0.81	0.74	0.60	0.45	1.00	0.74	0.60	0.46	1.00	0.77	0.63	0.48	1.00	0.79	0.65	0.50	1.00	1.00	0.67	0.53	1.00	1.00	0.72	0.58
	ΔT	23	21	18	14	23	21	18	14	23	21	18	14	23	21	18	14	23	21	17	14	24	22	19	15
	Lo PR	130	132	135	140	138	140	143	148	145	146	150	155	151	152	155	161	156	158	161	167	163	165	168	174
	Hi PR	220	221	223	227	255	256	257	261	291	292	293	297	330	331	332	336	372	373	374	378	416	417	419	423
	Amps	2.9	2.9	2.9	2.9	3.3	3.3	3.3	3.3	3.7	3.7	3.7	3.8	4.2	4.2	4.2	4.2	4.8	4.8	4.7	4.8	5.4	5.4	5.4	5.4
	KW	0.84	0.84	0.84	0.85	0.93	0.93	0.93	0.94	1.04	1.03	1.03	1.04	1.15	1.14	1.14	1.15	1.27	1.27	1.27	1.27	1.41	1.41	1.41	1.42
830	kBh	17.8	18.0	18.5	19.3	17.6	17.8	18.4	19.2	17.2	17.4	17.9	18.7	16.4	16.6	17.1	17.9	15.4	15.7	16.2	17.0	14.6	14.8	15.3	16.1
	S/T	0.84	0.77	0.63	0.48	1.00	0.77	0.63	0.49	1.00	0.80	0.66	0.51	1.00	0.82	0.68	0.53	1.00	1.00	0.70	0.56	1.00	1.00	0.76	0.61
	ΔT	22	20	17	13	22	20	17	13	22	21	17	14	22	20	17	13	22	20	17	13	23	21	18	14
	Lo PR	132	133	137	142	140	141	145	150	147	148	151	157	152	154	157	163	158	160	163	168	165	167	170	175
	Hi PR	222	223	224	228	256	257	259	263	292	293	295	299	331	332	334	338	373	374	376	380	418	419	420	424
	Amps	2.9	2.9	2.9	2.9	3.3	3.3	3.3	3.3	3.8	3.8	3.7	3.8	4.2	4.2	4.2	4.3	4.8	4.8	4.8	4.8	5.4	5.4	5.4	5.4
	KW	0.85	0.85	0.84	0.85	0.94	0.94	0.94	0.94	1.04	1.04	1.04	1.04	1.15	1.15	1.15	1.15	1.27	1.27	1.27	1.28	1.42	1.42	1.42	1.42

IDB = Entering Indoor Dry Bulb Temperature
 High and low pressures are measured at the liquid and suction service valves.
 Shaded area is ACCA (TVA) conditions
 kW = Total system power
 Amps = outdoor unit amps (comp.+fan)

EXPANDED COOLING DATA — GSXC180241B*+CA*F3137*6A*+EEP+TXV LOW STAGE (CONT.)

IDB		OUTDOOR AMBIENT TEMPERATURE															115°F																																				
		65°F					75°F					85°F					95°F					105°F					115°F																										
		59	63	67	71	75	59	63	67	71	75	59	63	67	71	75	59	63	67	71	75	59	63	67	71	75	59	63	67	71	75																						
80	690	kBh	17.5	17.7	18.2	19.0	17.3	17.5	18.1	18.9	16.9	17.1	17.6	18.4	16.1	16.3	16.8	17.6	15.1	15.4	15.9	16.7	14.3	14.5	15.0	15.8	kBh	17.6	17.9	18.4	19.2	17.5	17.7	18.2	19.0	17.0	17.3	17.8	18.6	16.2	16.5	17.0	17.8	15.3	15.5	16.0	16.8	14.4	14.7	15.2	16.0		
		S/T	1.00	0.82	0.69	0.54	1.00	0.83	0.69	0.55	1.00	1.00	0.72	0.57	1.00	1.00	0.74	0.59	1.00	1.00	0.80	0.65	1.00	1.00	0.80	0.71	S/T	1.00	0.86	0.73	0.58	1.00	0.87	0.73	0.59	1.00	1.00	0.76	0.61	1.00	1.00	0.78	0.63	1.00	1.00	0.80	0.65	1.00	1.00	0.80	0.71		
		ΔT	28	26	23	19	28	26	23	19	28	26	23	19	28	26	23	19	28	27	25	22	18	28	26	23	19	ΔT	27	25	22	18	27	25	22	18	27	26	22	18	27	25	22	18	27	25	22	18	28	26	23	19	
		Lo PR	129	131	134	140	137	139	142	148	144	146	149	154	150	151	155	160	166	155	157	160	166	163	164	167	173	Lo PR	131	132	136	141	139	140	143	149	145	147	150	156	151	153	156	161	161	157	158	162	167	164	166	169	174
		Hi PR	220	220	222	226	254	255	256	260	290	291	293	296	329	330	331	335	377	371	372	373	377	416	417	418	422	Hi PR	221	222	223	227	255	256	258	262	291	292	294	298	330	331	333	337	372	373	375	378	417	418	419	423	
		Amps	2.9	2.9	2.9	2.9	3.3	3.3	3.3	3.3	3.7	3.7	3.7	3.8	4.2	4.2	4.2	4.2	4.7	4.7	4.7	4.7	4.8	5.4	5.4	5.4	Amps	2.9	2.9	2.9	2.9	3.3	3.3	3.3	3.3	3.7	3.7	3.7	3.8	4.2	4.2	4.2	4.2	4.8	4.8	4.7	4.7	5.4	5.4	5.4	5.4		
KW	0.84	0.84	0.84	0.84	0.93	0.93	0.93	0.94	1.03	1.03	1.03	1.04	1.14	1.14	1.14	1.15	1.27	1.27	1.27	1.27	1.41	1.41	1.41	1.41	KW	0.84	0.84	0.84	0.85	0.93	0.93	0.93	0.94	1.04	1.04	1.03	1.04	1.15	1.15	1.15	1.15	1.27	1.27	1.27	1.27	1.41	1.41	1.41	1.41				
830	690	kBh	17.7	18.0	18.5	19.3	17.6	17.8	18.4	19.1	17.1	17.4	17.9	18.7	16.4	16.6	17.1	17.9	15.4	15.7	16.2	17.0	14.5	14.8	15.3	16.1	kBh	17.8	18.1	18.6	19.4	17.7	17.9	18.5	19.2	17.2	17.5	18.0	18.8	16.5	16.7	17.2	18.0	15.5	15.8	16.3	17.1	14.6	14.9	15.4	16.2		
		S/T	1.00	0.93	0.79	0.64	1.00	0.90	0.76	0.62	1.00	1.00	0.79	0.64	1.00	1.00	0.81	0.66	1.00	1.00	0.83	0.68	1.00	1.00	0.74	S/T	1.00	0.90	0.76	0.61	1.00	0.90	0.76	0.62	1.00	1.00	0.79	0.64	1.00	1.00	0.81	0.66	1.00	1.00	0.83	0.68	1.00	1.00	0.74				
		ΔT	32	30	26	23	32	30	26	23	32	30	26	23	32	30	26	23	32	31	29	26	22	32	31	27	23	ΔT	26	24	21	17	26	24	21	17	27	25	21	18	26	24	21	17	26	24	21	17	27	25	22	18	
		Lo PR	131	133	136	142	139	141	144	149	146	148	151	156	152	153	158	162	168	157	159	162	168	165	166	169	175	Lo PR	132	134	137	143	140	142	145	151	147	149	152	157	153	154	158	163	163	159	160	163	169	166	167	171	176
		Hi PR	221	222	223	227	255	256	258	262	291	292	294	297	330	331	332	336	378	372	373	375	380	418	419	421	425	Hi PR	222	223	225	229	257	258	259	263	293	294	295	299	332	333	334	338	374	375	376	380	418	419	421	425	
		Amps	2.9	2.9	2.9	2.9	3.3	3.3	3.3	3.3	3.7	3.7	3.7	3.8	4.2	4.2	4.2	4.2	4.8	4.8	4.8	4.8	5.4	5.4	5.4	5.4	Amps	2.9	2.9	2.9	2.9	3.3	3.3	3.3	3.3	3.8	3.8	3.8	3.8	4.2	4.2	4.2	4.2	4.8	4.8	4.8	4.8	5.4	5.4	5.4	5.4		
KW	0.85	0.85	0.84	0.85	0.94	0.94	0.94	0.94	1.04	1.04	1.04	1.04	1.04	1.14	1.14	1.14	1.15	1.27	1.27	1.27	1.28	1.42	1.42	1.42	KW	0.85	0.85	0.84	0.85	0.94	0.94	0.94	0.94	1.04	1.04	1.04	1.04	1.15	1.15	1.15	1.15	1.27	1.27	1.27	1.27	1.42	1.42	1.42	1.42				
85	690	kBh	17.9	18.2	18.7	19.5	17.8	18.0	18.5	19.3	17.3	17.5	18.1	18.9	16.5	16.8	17.3	18.1	15.6	15.8	16.3	17.1	14.7	15.0	15.5	16.3	kBh	18.0	18.2	18.7	19.5	17.8	18.0	18.5	19.3	17.5	17.8	18.3	19.1	16.8	17.0	17.5	18.3	15.8	16.0	16.6	17.4	14.9	15.2	15.7	16.5		
		S/T	1.00	0.97	0.83	0.68	1.00	0.90	0.76	0.62	1.00	1.00	0.86	0.72	1.00	1.00	0.88	0.74	1.00	1.00	0.76	0.61	1.00	1.00	0.81	S/T	1.00	0.86	0.73	0.58	1.00	0.87	0.73	0.59	1.00	1.00	0.89	0.75	1.00	1.00	0.90	0.76	1.00	1.00	0.80	0.65	1.00	1.00	0.80	0.71			
		ΔT	31	29	25	22	31	29	25	22	31	29	26	22	31	29	25	22	31	30	28	24	21	32	30	26	23	ΔT	30	28	25	21	30	28	25	21	30	28	25	21	30	28	25	21	30	28	24	21	31	29	26	22	
		Lo PR	133	134	138	143	140	142	145	151	147	149	152	157	153	155	158	163	169	157	159	162	168	166	167	171	176	Lo PR	134	136	139	145	142	144	147	153	149	151	154	159	155	156	160	165	165	160	162	165	171	168	169	172	178
		Hi PR	222	223	224	228	256	257	259	263	292	293	295	299	331	332	334	338	379	373	374	376	379	418	419	420	424	Hi PR	223	224	226	230	258	259	260	264	294	295	296	300	333	334	335	339	375	376	377	381	419	420	422	426	
		Amps	2.9	2.9	2.9	2.9	3.3	3.3	3.3	3.3	3.8	3.8	3.7	3.8	4.2	4.2	4.2	4.2	4.8	4.8	4.8	4.8	5.4	5.4	5.4	5.4	Amps	2.9	2.9	2.9	3.0	3.3	3.3	3.3	3.3	3.8	3.8	3.8	3.8	4.2	4.2	4.2	4.2	4.8	4.8	4.8	4.8	5.4	5.4	5.4	5.4		
KW	0.85	0.84	0.84	0.85	0.94	0.94	0.94	0.94	1.04	1.04	1.04	1.04	1.04	1.14	1.14	1.14	1.15	1.27	1.27	1.27	1.28	1.42	1.42	1.42	KW	0.85	0.85	0.85	0.85	0.94	0.94	0.94	0.94	1.04	1.04	1.04	1.05	1.15	1.15	1.15	1.16	1.27	1.27	1.27	1.28	1.42	1.42	1.42	1.42				

IDB = Entering Indoor Dry Bulb Temperature
 High and low pressures are measured at the liquid and suction service valves.
 Shaded area is AHRI (TVA) conditions
 kW = Total system power
 Amps = outdoor unit amps (comp.+fan)

IDB	AIRFLOW	OUTDOOR AMBIENT TEMPERATURE												ENTERING INDOOR WET BULB TEMPERATURE											
		65°F				75°F				85°F				95°F				105°F				115°F			
		59	63	67	71	59	63	67	71	59	63	67	71	59	63	67	71	59	63	67	71	59	63	67	71
70	kBh	24.1	24.5	25.2	-	23.9	24.3	25.0	-	23.3	23.6	24.3	-	22.2	22.5	23.3	-	20.9	21.2	21.9	-	19.7	20.0	20.7	-
	S/T	0.62	0.55	0.41	-	0.63	0.55	0.42	-	0.65	0.58	0.44	-	1.00	0.60	0.46	-	1.00	0.62	0.48	-	1.00	0.67	0.54	-
	ΔT	20	19	15	-	20	19	15	-	21	19	15	-	20	18	15	-	20	18	15	-	21	19	16	-
	Lo PR	125	127	130	-	133	134	138	-	139	141	144	-	145	147	150	-	151	152	155	-	158	159	162	-
	Hi PR	229	230	232	-	265	266	268	-	303	304	305	-	343	344	346	-	387	388	390	-	434	435	437	-
	Amps	4.6	4.6	4.6	-	5.2	5.2	5.2	-	5.9	5.9	5.9	-	6.7	6.7	6.7	-	7.5	7.5	7.5	-	8.5	8.5	8.5	-
KW	1.34	1.33	1.33	-	1.48	1.48	1.48	-	1.64	1.64	1.64	-	1.82	1.82	1.81	-	2.01	2.01	2.01	-	2.24	2.24	2.24	-	
760	kBh	24.4	24.7	25.4	-	24.2	24.5	25.2	-	23.5	23.9	24.6	-	22.4	22.8	23.5	-	21.1	21.5	22.2	-	19.9	20.3	21.0	-
	S/T	0.66	0.59	0.45	-	0.67	0.59	0.46	-	0.70	0.62	0.48	-	1.00	0.64	0.50	-	1.00	0.66	0.53	-	1.00	0.71	0.58	-
	ΔT	20	18	14	-	20	18	14	-	20	18	14	-	20	18	14	-	19	17	14	w	21	19	15	-
	Lo PR	127	128	131	-	134	136	139	-	141	142	146	-	146	148	151	-	152	154	157	-	159	160	164	-
	Hi PR	230	231	233	-	266	267	269	-	304	305	307	-	345	346	347	-	389	390	391	-	435	436	438	-
	Amps	4.6	4.6	4.6	-	5.3	5.3	5.2	-	6.0	6.0	5.9	-	6.7	6.7	6.7	-	7.6	7.6	7.5	-	8.6	8.6	8.5	-
KW	1.34	1.34	1.34	-	1.49	1.48	1.48	-	1.65	1.65	1.64	-	1.82	1.82	1.82	-	2.02	2.02	2.01	-	2.25	2.24	2.24	-	
830	kBh	24.6	25.0	25.7	-	24.4	24.8	25.5	-	23.8	24.1	24.9	-	22.7	23.1	23.8	-	21.4	21.7	22.5	-	20.2	20.5	21.2	-
	S/T	0.69	0.62	0.48	-	0.70	0.62	0.49	-	0.72	0.65	0.51	-	1.00	0.67	0.53	-	1.00	0.69	0.55	-	1.00	0.74	0.60	-
	ΔT	19	17	13	-	19	17	13	-	19	17	14	-	19	17	13	-	19	17	13	-	20	18	14	-
	Lo PR	128	130	133	-	136	137	140	-	142	144	147	-	148	149	153	-	153	155	158	-	160	162	165	-
	Hi PR	232	233	234	-	268	269	270	-	306	307	308	-	346	347	349	-	390	391	393	-	437	438	439	-
	Amps	4.6	4.6	4.6	-	5.3	5.3	5.3	-	6.0	6.0	6.0	-	6.7	6.7	6.7	-	7.6	7.6	7.6	-	8.6	8.6	8.6	-
KW	1.35	1.34	1.34	-	1.49	1.49	1.49	-	1.65	1.65	1.65	-	1.83	1.83	1.82	-	2.02	2.02	2.02	-	2.25	2.25	2.25	-	

690	kBh	24.1	24.5	25.2	26.3	23.9	24.3	25.0	26.1	23.3	23.6	24.4	25.5	22.2	22.6	23.3	24.4	20.9	21.2	22.0	23.1	19.7	20.0	20.8	21.8
	S/T	0.75	0.68	0.54	0.40	0.76	0.68	0.55	0.40	1.00	0.71	0.57	0.43	1.00	0.73	0.59	0.45	1.00	0.75	0.61	0.47	1.00	1.00	0.66	0.52
	ΔT	25	23	19	15	25	23	19	15	25	23	19	16	25	23	19	15	24	22	19	15	26	24	20	16
	Lo PR	125	127	130	135	133	134	138	143	139	141	144	150	145	147	150	155	151	152	155	161	158	159	162	168
	Hi PR	229	230	232	236	265	266	268	272	303	304	306	310	344	345	346	350	387	388	390	394	434	435	437	441
	Amps	4.6	4.6	4.6	4.6	5.2	5.2	5.2	5.3	5.9	5.9	5.9	6.0	6.7	6.7	6.7	6.7	7.5	7.5	7.5	7.6	8.5	8.5	8.5	8.6
KW	1.33	1.33	1.33	1.34	1.48	1.48	1.48	1.49	1.64	1.64	1.64	1.65	1.82	1.81	1.81	1.82	2.01	2.01	2.01	2.02	2.24	2.24	2.24	2.25	
760	kBh	24.4	24.7	25.4	26.5	24.2	24.5	25.2	26.3	23.5	23.9	24.6	25.7	22.5	22.8	23.5	24.6	21.1	21.5	22.2	23.3	19.9	20.3	21.0	22.1
	S/T	0.79	0.72	0.58	0.44	1.00	0.72	0.59	0.45	1.00	0.75	0.61	0.47	1.00	0.77	0.63	0.49	1.00	0.79	0.65	0.51	1.00	1.00	0.71	0.56
	ΔT	24	22	18	15	24	22	18	15	24	22	19	15	24	22	18	14	24	22	18	14	25	23	19	16
	Lo PR	127	128	131	137	134	136	139	144	141	142	146	151	146	148	151	157	152	154	157	162	159	160	164	169
	Hi PR	231	232	233	237	267	268	269	273	304	305	307	311	345	346	348	352	389	390	391	395	436	437	438	442
	Amps	4.6	4.6	4.6	4.7	5.3	5.2	5.2	5.3	6.0	5.9	5.9	6.0	6.7	6.7	6.7	6.7	7.6	7.6	7.5	7.6	8.6	8.6	8.5	8.6
KW	1.34	1.34	1.34	1.35	1.48	1.48	1.48	1.49	1.65	1.65	1.64	1.65	1.82	1.82	1.82	1.83	2.02	2.01	2.01	2.02	2.25	2.24	2.24	2.25	
830	kBh	24.7	25.0	25.7	26.8	24.4	24.8	25.5	26.6	23.8	24.2	24.9	26.0	22.7	23.1	23.8	24.9	21.4	21.7	22.5	23.6	20.2	20.5	21.3	22.4
	S/T	0.82	0.74	0.61	0.47	1.00	0.75	0.62	0.47	1.00	0.78	0.64	0.50	1.00	0.79	0.66	0.52	1.00	1.00	0.68	0.54	1.00	1.00	0.73	0.59
	ΔT	23	21	18	14	23	21	18	14	23	21	18	14	23	21	18	14	23	21	17	14	24	22	19	15
	Lo PR	128	130	133	138	136	137	140	146	142	144	147	152	148	149	153	158	153	155	158	164	160	162	165	170
	Hi PR	232	233	235	239	268	269	271	275	306	307	308	312	346	347	349	353	390	391	393	397	437	438	440	444
	Amps	4.6	4.6	4.6	4.7	5.3	5.3	5.3	5.3	6.0	6.0	6.0	6.0	6.7	6.7	6.7	6.8	7.6	7.6	7.6	7.6	8.6	8.6	8.6	8.6
KW	1.34	1.34	1.34	1.35	1.49	1.49	1.49	1.50	1.65	1.65	1.65	1.66	1.83	1.82	1.82	1.83	2.02	2.02	2.02	2.03	2.25	2.25	2.25	2.26	

IDB = Entering Indoor Dry Bulb Temperature
 High and low pressures are measured at the liquid and suction service valves.
 Shaded area is ACCA (TVA) conditions
 kW = Total system power
 Amps = outdoor unit amps (comp.+fan)

EXPANDED COOLING DATA — GSXC180241B*+CA*F3137*6A*+EEP+TXV HIGH STAGE (CONT.)

IDB	AIRFLOW	OUTDOOR AMBIENT TEMPERATURE												ENTERING INDOOR WET BULB TEMPERATURE												
		65°F				75°F				85°F				95°F				105°F				115°F				
		59	63	67	71	59	63	67	71	59	63	67	71	59	63	67	71	59	63	67	71	59	63	67	71	
80	kBh	24.3	24.6	25.3	26.4	24.1	24.4	25.1	26.2	23.4	23.8	24.5	25.6	22.3	22.7	23.4	24.5	21.0	21.4	22.1	23.2	19.8	20.2	20.9	22.0	
	S/T	1.00	0.80	0.67	0.52	1.00	0.81	0.67	0.53	1.00	0.83	0.70	0.55	1.00	1.00	0.72	0.57	1.00	1.00	0.74	0.60	1.00	1.00	0.79	0.65	
	ΔT	29	27	23	20	29	27	23	20	29	27	24	20	29	27	23	20	29	27	23	19	30	28	24	21	
	Lo PR	126	127	131	136	133	135	138	143	140	142	145	150	146	147	150	156	151	153	156	161	158	160	163	168	
	Hi PR	230	231	232	236	266	267	268	272	303	304	306	310	344	345	347	351	388	389	390	394	435	436	437	441	
	Amps	4.6	4.6	4.6	4.6	5.2	5.2	5.2	5.3	5.9	5.9	5.9	6.0	6.7	6.7	6.7	6.7	7.5	7.5	7.5	7.6	8.5	8.5	8.5	8.6	
	KW	1.34	1.33	1.33	1.34	1.48	1.48	1.48	1.49	1.64	1.64	1.64	1.65	1.82	1.82	1.81	1.82	2.01	2.01	2.01	2.02	2.24	2.24	2.24	2.25	
	kBh	24.5	24.8	25.6	26.7	24.3	24.6	25.3	26.4	23.7	24.0	24.7	25.8	22.6	22.9	23.6	24.7	21.3	21.6	22.3	23.4	20.1	20.4	21.1	22.2	
	S/T	1.00	0.84	0.71	0.56	1.00	0.85	0.71	0.57	1.00	0.87	0.74	0.60	1.00	1.00	0.76	0.61	1.00	1.00	0.78	0.64	1.00	1.00	0.83	0.69	
	ΔT	28	26	23	19	28	26	23	19	28	26	23	19	28	26	23	19	28	26	22	19	29	27	23	20	
Lo PR	127	129	132	137	135	136	139	145	141	143	146	151	147	149	152	157	153	154	157	163	159	161	164	169		
Hi PR	231	232	234	238	267	268	270	274	305	306	307	311	345	346	348	352	389	390	392	396	436	437	439	443		
Amps	4.6	4.6	4.6	4.7	5.3	5.2	5.2	5.3	6.0	6.0	6.0	6.0	6.7	6.7	6.7	6.7	7.6	7.6	7.5	7.6	8.6	8.6	8.5	8.6		
KW	1.34	1.34	1.34	1.35	1.49	1.48	1.48	1.49	1.65	1.65	1.64	1.65	1.82	1.82	1.82	1.83	2.02	2.02	2.02	2.02	2.25	2.24	2.24	2.25		
830	kBh	24.8	25.1	25.8	26.9	24.6	24.9	25.6	26.7	23.9	24.3	25.0	26.1	22.9	23.2	23.9	25.0	21.5	21.9	22.6	23.7	20.3	20.7	21.4	22.5	
	S/T	1.00	0.87	0.73	0.59	1.00	0.88	0.74	0.60	1.00	0.90	0.77	0.62	1.00	1.00	0.78	0.64	1.00	1.00	0.81	0.66	1.00	1.00	0.86	0.72	
	ΔT	27	25	22	18	27	25	22	18	28	26	22	18	27	25	22	18	27	25	22	18	28	26	23	19	
	Lo PR	129	130	133	139	136	138	141	146	143	144	148	153	149	150	153	159	154	156	159	164	161	162	166	171	
	Hi PR	232	233	235	239	268	269	271	275	306	307	309	313	347	348	349	353	391	392	393	397	437	438	440	444	
	Amps	4.6	4.6	4.6	4.7	5.3	5.3	5.3	5.3	6.0	6.0	6.0	6.0	6.7	6.7	6.7	6.8	7.6	7.6	7.6	7.6	8.6	8.6	8.6	8.6	
	KW	1.35	1.34	1.34	1.35	1.49	1.49	1.49	1.50	1.65	1.65	1.65	1.66	1.83	1.83	1.83	1.83	2.02	2.02	2.02	2.03	2.25	2.25	2.25	2.26	
	85	kBh	24.7	25.0	25.7	26.8	24.5	24.8	25.5	26.6	23.8	24.2	24.9	26.0	22.7	23.1	23.8	24.9	21.4	21.8	22.5	23.6	20.2	20.6	21.3	22.4
		S/T	1.00	0.90	0.77	0.62	1.00	0.80	0.67	0.63	1.00	0.80	0.66	0.66	1.00	1.00	0.82	0.67	1.00	1.00	0.84	0.70	1.00	1.00	0.75	
		ΔT	33	31	27	24	33	31	27	24	33	31	27	24	33	31	27	23	32	30	27	23	34	32	28	24
Lo PR		128	129	132	138	135	137	140	145	142	143	147	152	148	149	152	158	153	155	158	163	160	162	165	170	
Hi PR		231	232	233	237	267	268	269	273	304	305	307	311	345	346	348	352	389	390	392	396	436	437	438	442	
Amps		4.6	4.6	4.6	4.6	5.2	5.2	5.2	5.3	5.9	5.9	5.9	6.0	6.7	6.7	6.7	6.7	7.6	7.6	7.5	7.6	8.5	8.5	8.5	8.6	
KW		1.34	1.34	1.33	1.35	1.48	1.48	1.48	1.49	1.64	1.64	1.64	1.65	1.82	1.82	1.82	1.83	2.01	2.01	2.01	2.02	2.24	2.24	2.24	2.25	
kBh		24.9	25.3	26.0	27.1	24.7	25.0	25.8	26.9	24.1	24.4	25.1	26.2	23.0	23.3	24.0	25.1	21.7	22.0	22.7	23.8	20.5	20.8	21.5	22.6	
S/T		1.00	0.94	0.81	0.67	1.00	0.80	0.67	0.63	1.00	0.80	0.66	0.66	1.00	1.00	0.86	0.72	1.00	1.00	0.88	0.74	1.00	1.00	0.79		
ΔT		32	30	26	23	32	30	26	23	32	30	27	23	32	30	26	23	32	30	26	22	33	31	27	24	
Lo PR	129	131	134	139	137	138	141	147	143	145	148	153	149	150	154	159	154	156	159	164	161	163	166	171		
Hi PR	232	233	235	239	268	269	271	275	306	307	308	312	347	348	349	353	390	391	393	397	437	438	440	444		
Amps	4.6	4.6	4.6	4.7	5.3	5.3	5.3	5.3	6.0	6.0	6.0	6.0	6.7	6.7	6.7	6.8	7.6	7.6	7.6	7.6	8.6	8.6	8.6	8.6		
KW	1.34	1.34	1.34	1.35	1.49	1.49	1.49	1.50	1.65	1.65	1.65	1.66	1.82	1.82	1.82	1.83	2.02	2.02	2.02	2.03	2.25	2.25	2.24	2.26		
830	kBh	25.2	25.5	26.2	27.3	25.0	25.3	26.0	27.1	24.3	24.7	25.4	26.5	23.3	23.6	24.3	25.4	21.9	22.3	23.0	24.1	20.7	21.1	21.8	22.9	
	S/T	1.00	0.97	0.83	0.69	1.00	0.80	0.67	0.63	1.00	0.80	0.66	0.66	1.00	1.00	0.89	0.74	1.00	1.00	0.91	0.76	1.00	1.00	0.82		
	ΔT	31	29	26	22	31	29	26	22	31	29	26	22	31	29	26	22	31	29	25	22	32	30	27	23	
	Lo PR	131	132	135	141	138	140	143	148	145	146	149	155	150	152	155	160	156	157	161	166	163	164	168	173	
	Hi PR	233	234	236	240	269	270	272	276	307	308	310	314	348	349	351	354	392	393	394	398	439	440	441	445	
	Amps	4.7	4.7	4.6	4.7	5.3	5.3	5.3	5.3	6.0	6.0	6.0	6.0	6.7	6.7	6.7	6.8	7.6	7.6	7.6	7.6	8.6	8.6	8.6	8.6	
	KW	1.35	1.35	1.34	1.36	1.49	1.49	1.49	1.50	1.65	1.65	1.65	1.66	1.83	1.83	1.83	1.84	2.02	2.02	2.02	2.03	2.25	2.25	2.25	2.26	

IDB = Entering Indoor Dry Bulb Temperature
 High and low pressures are measured at the liquid and suction service valves.
 Shaded area is AHRI (TVA) conditions
 kW = Total system power
 Amps = outdoor unit amps (comp.+fan)

IDB		OUTDOOR AMBIENT TEMPERATURE																								
		65°F				75°F				85°F				95°F				105°F				115°F				
		59	63	67	71	59	63	67	71	59	63	67	71	59	63	67	71	59	63	67	71	59	63	67	71	
70	950	kBh	25.6	25.9	26.7	-	25.3	25.7	26.4	-	24.7	25.0	25.8	-	23.5	23.9	24.6	-	22.1	22.5	23.2	-	20.8	21.2	22.0	-
		S/T	0.63	0.55	0.42	-	0.63	0.56	0.42	-	0.66	0.58	0.45	-	1.00	0.60	0.47	-	1.00	0.63	0.49	-	1.00	0.68	0.54	-
		ΔT	20	18	15	-	20	18	15	-	21	19	15	-	20	18	15	-	20	18	14	-	21	19	16	-
		Lo PR	127	128	131	-	134	136	139	-	141	143	146	-	147	148	151	-	152	154	157	-	159	161	164	-
		Hi PR	232	233	235	-	269	270	272	-	307	308	310	-	349	350	351	-	393	394	396	-	441	442	443	-
	Amps	4.2	4.2	4.2	-	4.8	4.8	4.8	-	5.5	5.5	5.5	-	6.3	6.3	6.2	-	7.1	7.1	7.1	-	8.1	8.1	8.0	-	
	KW	1.21	1.21	1.21	-	1.36	1.35	1.35	-	1.51	1.51	1.51	-	1.68	1.68	1.68	-	1.87	1.87	1.87	-	2.10	2.10	2.09	-	
	1050	kBh	25.8	26.2	26.9	-	25.6	25.9	26.7	-	24.9	25.3	26.0	-	23.8	24.1	24.9	-	22.4	22.7	23.5	-	21.1	21.4	22.2	-
		S/T	0.67	0.59	0.46	-	0.67	0.60	0.46	-	0.70	0.62	0.49	-	1.00	0.64	0.51	-	1.00	0.67	0.53	-	1.00	0.72	0.58	-
		ΔT	20	18	14	-	19	18	14	-	20	18	14	-	19	18	14	-	19	17	14	-	20	18	15	-
Lo PR		128	130	133	-	136	137	140	-	142	144	147	-	148	150	153	-	154	155	158	-	161	162	165	-	
Hi PR		234	235	236	-	270	271	273	-	309	310	311	-	350	351	353	-	394	395	397	-	442	443	445	-	
Amps	4.2	4.2	4.2	-	4.9	4.9	4.8	-	5.5	5.5	5.5	-	6.3	6.3	6.3	-	7.1	7.1	7.1	-	8.1	8.1	8.1	-		
KW	1.22	1.22	1.22	-	1.36	1.36	1.36	-	1.52	1.52	1.52	-	1.69	1.69	1.68	-	1.88	1.88	1.88	-	2.10	2.10	2.10	-		
1150	kBh	26.1	26.4	27.2	-	25.8	26.2	27.0	-	25.2	25.5	26.3	-	24.0	24.4	25.2	-	22.6	23.0	23.8	-	21.4	21.7	22.5	-	
	S/T	0.69	0.62	0.48	-	0.70	0.62	0.49	-	1.00	0.65	0.51	-	1.00	0.67	0.53	-	1.00	0.69	0.56	-	1.00	1.00	0.61	-	
	ΔT	19	17	13	-	19	17	13	-	19	17	14	-	19	17	13	-	18	17	13	-	20	18	14	-	
	Lo PR	129	131	134	-	137	139	142	-	144	145	149	-	149	151	154	-	155	157	160	-	162	164	167	-	
	Hi PR	235	236	238	-	272	273	274	-	310	311	313	-	351	352	354	-	396	397	398	-	443	444	446	-	
Amps	4.3	4.3	4.2	-	4.9	4.9	4.9	-	5.6	5.6	5.5	-	6.3	6.3	6.3	-	7.1	7.1	7.1	-	8.1	8.1	8.1	-		
KW	1.22	1.22	1.22	-	1.36	1.36	1.36	-	1.52	1.52	1.52	-	1.69	1.69	1.69	-	1.88	1.88	1.88	-	2.11	2.11	2.10	-		

75	950	kBh	25.6	25.9	26.7	27.9	25.3	25.7	26.5	27.6	24.7	25.0	25.8	27.0	23.5	23.9	24.7	25.8	22.1	22.5	23.3	24.4	20.9	21.2	22.0	23.1
		S/T	0.76	0.68	0.55	0.40	1.00	0.69	0.55	0.41	1.00	0.71	0.58	0.43	1.00	0.73	0.60	0.45	1.00	0.76	0.62	0.48	1.00	1.00	0.67	0.53
		ΔT	24	23	19	15	24	23	19	15	25	23	19	16	24	23	19	15	24	22	19	15	25	23	20	16
		Lo PR	127	128	131	137	134	136	139	144	141	143	146	151	147	148	152	157	152	154	157	162	159	161	164	169
		Hi PR	233	234	235	239	269	270	272	276	308	309	310	314	349	350	351	355	393	394	396	400	441	442	443	447
	Amps	4.2	4.2	4.2	4.3	4.8	4.8	4.8	4.9	5.5	5.5	5.5	5.5	6.3	6.3	6.2	6.3	7.1	7.1	7.1	7.1	8.1	8.1	8.0	8.1	
	KW	1.21	1.21	1.21	1.22	1.35	1.35	1.35	1.36	1.51	1.51	1.51	1.52	1.68	1.68	1.68	1.69	1.87	1.87	1.87	1.88	2.10	2.10	2.09	2.10	
	1050	kBh	25.8	26.2	26.9	28.1	25.6	25.9	26.7	27.9	24.9	25.3	26.0	27.2	23.8	24.1	24.9	26.1	22.4	22.7	23.5	24.7	21.1	21.5	22.2	23.4
		S/T	0.80	0.72	0.59	0.44	1.00	0.73	0.59	0.45	1.00	0.75	0.62	0.47	1.00	0.77	0.64	0.49	1.00	1.00	0.66	0.52	1.00	1.00	0.71	0.57
		ΔT	24	22	18	15	24	22	18	14	24	22	18	15	24	22	18	14	23	21	18	14	25	23	19	15
Lo PR		128	130	133	138	136	137	140	146	142	144	147	153	148	150	153	158	154	155	158	164	161	162	165	171	
Hi PR		234	235	237	241	271	272	273	277	309	310	312	316	350	351	353	357	395	396	397	401	442	443	445	449	
Amps	4.2	4.2	4.2	4.3	4.9	4.8	4.8	4.9	5.5	5.5	5.5	5.6	6.3	6.3	6.3	6.3	7.1	7.1	7.1	7.1	8.1	8.1	8.1	8.1		
KW	1.22	1.22	1.21	1.23	1.36	1.36	1.36	1.37	1.52	1.52	1.51	1.52	1.69	1.69	1.68	1.69	1.88	1.88	1.87	1.89	2.10	2.10	2.10	2.11		
1150	kBh	26.1	26.4	27.2	28.4	25.9	26.2	27.0	28.1	25.2	25.6	26.3	27.5	24.1	24.4	25.2	26.3	22.7	23.0	23.8	24.9	21.4	21.7	22.5	23.7	
	S/T	0.82	0.75	0.61	0.47	1.00	0.75	0.62	0.47	1.00	0.78	0.64	0.50	1.00	0.80	0.66	0.52	1.00	1.00	0.69	0.54	1.00	1.00	0.74	0.59	
	ΔT	23	21	18	14	23	21	17	14	23	21	18	14	23	21	17	14	23	21	17	14	24	22	18	15	
	Lo PR	129	131	134	140	137	139	142	147	144	145	149	154	149	151	154	160	155	157	160	165	162	164	167	172	
	Hi PR	235	236	238	242	272	273	275	279	310	311	313	317	352	353	354	358	396	397	399	403	444	445	446	450	
Amps	4.3	4.3	4.2	4.3	4.9	4.9	4.9	4.9	5.6	5.6	5.5	5.6	6.3	6.3	6.3	6.3	7.1	7.1	7.1	7.1	8.1	8.1	8.1	8.1		
KW	1.22	1.22	1.22	1.23	1.36	1.36	1.36	1.37	1.52	1.52	1.52	1.53	1.69	1.69	1.69	1.70	1.88	1.88	1.88	1.89	2.11	2.10	2.10	2.11		

IDB = Entering Indoor Dry Bulb Temperature
 High and low pressures are measured at the liquid and suction service valves.
 Shaded area is ACCA (TVA) conditions
 kW = Total system power
 Amps = outdoor unit amps (comp.+fan)

IDB	AIRFLOW	OUTDOOR AMBIENT TEMPERATURE												ENTERING INDOOR WET BULB TEMPERATURE											
		65°F				75°F				85°F				95°F				105°F				115°F			
		59	63	67	71	59	63	67	71	59	63	67	71	59	63	67	71	59	63	67	71	59	63	67	71
80	kBh	25.7	26.1	26.8	28.0	25.5	25.8	26.6	27.8	24.8	25.2	25.9	27.1	23.7	24.0	24.8	25.9	22.3	22.6	23.4	24.5	21.0	21.3	22.1	23.3
	S/T	1.00	0.81	0.67	0.53	1.00	0.81	0.68	0.53	1.00	0.84	0.70	0.56	1.00	1.00	0.72	0.58	1.00	1.00	0.74	0.60	1.00	1.00	0.80	0.65
	ΔT	29	27	23	20	29	27	23	19	29	27	23	20	29	27	23	19	28	26	23	19	30	28	24	20
	Lo PR	127	129	132	137	135	136	140	145	142	143	146	152	147	149	152	157	153	154	158	163	160	161	165	170
	Hi PR	233	234	236	240	270	271	272	276	308	309	311	315	349	350	352	356	394	395	396	400	441	442	444	448
	Amps	4.2	4.2	4.2	4.3	4.8	4.8	4.8	4.9	5.5	5.5	5.5	5.6	6.3	6.3	6.2	6.3	7.1	7.1	7.1	7.1	8.1	8.1	8.1	8.1
	KW	1.21	1.21	1.21	1.22	1.35	1.35	1.35	1.36	1.51	1.51	1.51	1.52	1.68	1.68	1.68	1.69	1.87	1.87	1.87	1.88	2.10	2.10	2.09	2.10
	kBh	25.9	26.3	27.1	28.2	25.7	26.1	26.8	28.0	25.1	25.4	26.2	27.3	23.9	24.3	25.0	26.2	22.5	22.9	23.6	24.8	21.2	21.6	22.4	23.5
	S/T	1.00	0.85	0.71	0.57	1.00	0.85	0.72	0.57	1.00	0.88	0.74	0.60	1.00	1.00	0.76	0.62	1.00	1.00	0.78	0.64	1.00	1.00	0.84	0.69
	ΔT	28	26	22	19	28	26	22	19	28	26	23	19	28	26	22	19	28	26	22	18	29	27	23	20
	Lo PR	129	130	133	139	136	138	141	146	143	145	148	153	149	150	153	159	154	156	159	164	161	163	166	171
	Hi PR	234	235	237	241	271	272	274	278	309	310	312	316	351	352	353	357	395	396	398	402	443	444	445	449
Amps	4.2	4.2	4.2	4.3	4.9	4.9	4.8	4.9	5.5	5.5	5.5	5.6	6.3	6.3	6.3	6.3	7.1	7.1	7.1	7.1	8.1	8.1	8.1	8.1	
KW	1.22	1.22	1.22	1.23	1.36	1.36	1.36	1.37	1.52	1.52	1.52	1.53	1.69	1.69	1.68	1.70	1.88	1.88	1.88	1.89	2.10	2.10	2.10	2.11	
kBh	26.2	26.6	27.3	28.5	26.0	26.4	27.1	28.3	25.3	25.7	26.4	27.6	24.2	24.5	25.3	26.5	22.8	23.1	23.9	25.1	21.5	21.9	22.6	23.8	
S/T	1.00	0.87	0.74	0.59	1.00	0.88	0.74	0.60	1.00	1.00	0.77	0.63	1.00	1.00	0.79	0.65	1.00	1.00	0.81	0.67	1.00	1.00	1.00	0.72	
ΔT	27	25	22	18	27	25	22	18	27	26	22	18	27	25	22	18	27	25	21	18	28	26	23	19	
Lo PR	130	132	135	140	138	139	142	148	144	146	149	155	150	152	155	160	156	157	160	166	163	164	167	173	
Hi PR	236	237	238	242	272	273	275	279	311	312	313	317	352	353	355	359	396	397	399	403	444	445	447	451	
Amps	4.3	4.3	4.2	4.3	4.9	4.9	4.9	4.9	5.6	5.6	5.5	5.6	6.3	6.3	6.3	6.3	7.1	7.1	7.1	7.1	8.1	8.1	8.1	8.1	
KW	1.22	1.22	1.22	1.23	1.36	1.36	1.36	1.37	1.52	1.52	1.52	1.53	1.69	1.69	1.69	1.70	1.88	1.88	1.88	1.89	2.11	2.11	2.10	2.11	
85	kBh	26.1	26.5	27.2	28.4	25.9	26.3	27.0	28.2	25.2	25.6	26.4	27.5	24.1	24.5	25.2	26.4	22.7	23.1	23.8	25.0	21.4	21.8	22.5	23.7
	S/T	1.00	0.91	0.77	0.63	1.00	1.00	0.78	0.64	1.00	1.00	0.80	0.66	1.00	1.00	0.82	0.68	1.00	1.00	1.00	0.70	1.00	1.00	1.00	0.75
	ΔT	32	31	27	23	32	31	27	23	33	31	27	24	32	30	27	23	32	30	27	23	33	31	28	24
	Lo PR	129	131	134	139	137	138	142	147	144	145	148	154	149	151	154	159	155	156	160	165	162	163	167	172
	Hi PR	234	235	237	241	271	272	273	277	309	310	312	316	350	351	353	357	395	396	397	401	442	443	445	449
	Amps	4.2	4.2	4.2	4.3	4.8	4.8	4.8	4.9	5.5	5.5	5.5	5.6	6.3	6.3	6.3	6.3	7.1	7.1	7.1	7.1	8.1	8.1	8.1	8.1
	KW	1.22	1.22	1.21	1.22	1.36	1.36	1.35	1.36	1.52	1.52	1.51	1.52	1.69	1.68	1.68	1.69	1.88	1.88	1.87	1.88	2.10	2.10	2.10	2.11
	kBh	26.4	26.7	27.5	28.7	26.1	26.5	27.3	28.4	25.5	25.8	26.6	27.8	24.3	24.7	25.5	26.6	22.9	23.3	24.1	25.2	21.7	22.0	22.8	23.9
	S/T	1.00	0.95	0.81	0.67	1.00	1.00	0.82	0.68	1.00	1.00	0.84	0.70	1.00	1.00	0.86	0.72	1.00	1.00	1.00	0.74	1.00	1.00	1.00	0.79
	ΔT	32	30	26	23	32	30	26	22	32	30	26	23	32	30	26	22	31	29	26	22	33	31	27	23
	Lo PR	130	132	135	141	138	140	143	148	145	146	150	155	151	152	155	161	156	158	161	166	163	165	168	173
	Hi PR	236	237	238	242	272	273	275	279	310	311	313	317	352	353	354	358	396	397	399	403	444	445	446	450
Amps	4.3	4.3	4.2	4.3	4.9	4.9	4.9	4.9	5.6	5.6	5.5	5.6	6.3	6.3	6.3	6.3	7.1	7.1	7.1	7.1	8.1	8.1	8.1	8.1	
KW	1.22	1.22	1.22	1.23	1.36	1.36	1.36	1.37	1.52	1.52	1.52	1.53	1.69	1.69	1.69	1.70	1.88	1.88	1.88	1.89	2.10	2.10	2.10	2.11	
kBh	26.6	27.0	27.8	28.9	26.4	26.8	27.5	28.7	25.8	26.1	26.9	28.0	24.6	25.0	25.7	26.9	23.2	23.6	24.3	25.5	21.9	22.3	23.1	24.2	
S/T	1.00	0.98	0.84	0.70	1.00	1.00	0.85	0.70	1.00	1.00	0.87	0.73	1.00	1.00	0.89	0.75	1.00	1.00	1.00	0.77	1.00	1.00	1.00	0.82	
ΔT	31	29	26	22	31	29	25	22	31	29	26	22	31	29	25	22	31	29	25	21	32	30	26	23	
Lo PR	132	133	137	142	140	141	144	150	146	148	151	156	152	154	157	162	158	159	162	168	165	166	169	175	
Hi PR	237	238	240	244	273	274	276	280	312	313	314	318	353	354	356	360	398	399	400	404	445	446	448	452	
Amps	4.3	4.3	4.3	4.3	4.9	4.9	4.9	4.9	5.6	5.6	5.6	5.6	6.3	6.3	6.3	6.3	7.1	7.1	7.1	7.1	8.1	8.1	8.1	8.1	
KW	1.23	1.22	1.22	1.23	1.37	1.37	1.36	1.37	1.52	1.52	1.52	1.53	1.70	1.69	1.69	1.70	1.89	1.88	1.88	1.89	2.11	2.11	2.11	2.12	

IDB = Entering Indoor Dry Bulb Temperature
 High and low pressures are measured at the liquid and suction service valves.
 Shaded area is AHRI (TVA) conditions
 kW = Total system power
 Amps = outdoor unit amps (comp.+fan)

IDB	AIRFLOW	OUTDOOR AMBIENT TEMPERATURE												ENTERING INDOOR WET BULB TEMPERATURE											
		65°F				75°F				85°F				95°F				105°F				115°F			
		59	63	67	71	59	63	67	71	59	63	67	71	59	63	67	71	59	63	67	71	59	63	67	71
70	kBh	35.5	36.0	37.1	-	35.2	35.7	36.8	-	34.3	34.8	35.8	-	32.7	33.2	34.2	-	30.7	31.2	32.3	-	29.0	29.5	30.5	-
	S/T	0.61	0.53	0.40	-	0.61	0.54	0.41	-	0.64	0.56	0.43	-	0.66	0.58	0.45	-	1.00	0.61	0.47	-	1.00	0.66	0.52	-
	ΔT	21	19	15	-	21	19	15	-	21	19	16	-	21	19	15	-	21	19	15	-	22	20	16	-
	Lo PR	123	125	128	-	131	132	135	-	137	139	142	-	143	144	147	-	148	150	153	-	155	156	159	-
	Hi PR	243	244	246	-	281	282	284	-	321	322	324	-	365	366	367	-	411	412	414	-	461	462	463	-
	Amps	6.7	6.7	6.7	-	7.7	7.7	7.7	-	8.8	8.8	8.8	-	10.0	9.9	9.9	-	11.3	11.3	11.2	-	12.8	12.8	12.8	-
	KW	1.93	1.93	1.92	-	2.15	2.15	2.15	-	2.40	2.40	2.40	-	2.68	2.67	2.67	-	2.98	2.98	2.97	-	3.33	3.33	3.33	-
	kBh	35.9	36.4	37.4	-	35.6	36.1	37.1	-	34.6	35.1	36.2	-	33.0	33.5	34.6	-	31.1	31.6	32.7	-	29.3	29.8	30.9	-
	S/T	0.65	0.58	0.44	-	0.66	0.58	0.45	-	0.68	0.61	0.47	-	1.00	0.63	0.49	-	1.00	0.65	0.52	-	1.00	0.70	0.57	-
	ΔT	20	18	15	-	20	18	14	-	20	18	15	-	20	18	14	-	20	18	14	-	21	19	15	-
Lo PR	124	126	129	-	132	133	137	-	138	140	143	-	144	146	149	-	149	151	154	-	156	158	161	-	
Hi PR	245	246	247	-	283	284	286	-	323	324	326	-	366	367	369	-	413	414	415	-	462	463	465	-	
Amps	6.7	6.7	6.7	-	7.7	7.7	7.7	-	8.8	8.8	8.8	-	10.0	10.0	10.0	-	11.3	11.3	11.3	-	12.9	12.8	12.8	-	
KW	1.94	1.94	1.93	-	2.16	2.16	2.16	-	2.41	2.41	2.41	-	2.68	2.68	2.68	-	2.99	2.99	2.98	-	3.34	3.34	3.34	-	
kBh	36.3	36.8	37.9	-	36.0	36.5	37.5	-	35.1	35.6	36.6	-	33.5	34.0	35.0	-	31.5	32.0	33.1	-	29.7	30.2	31.3	-	
S/T	0.68	0.60	0.47	-	0.68	0.61	0.48	-	0.71	0.63	0.50	-	1.00	0.65	0.52	-	1.00	0.67	0.54	-	1.00	0.73	0.59	-	
ΔT	19	17	14	-	19	17	14	-	20	18	14	-	19	17	14	-	19	17	13	-	20	18	15	-	
Lo PR	126	127	131	-	133	135	138	-	140	141	145	-	146	147	150	-	151	152	156	-	158	159	162	-	
Hi PR	246	247	249	-	284	285	287	-	324	325	327	-	368	369	370	-	414	415	417	-	464	465	467	-	
Amps	6.8	6.8	6.8	-	7.8	7.7	7.7	-	8.8	8.8	8.8	-	10.0	10.0	10.0	-	11.3	11.3	11.3	-	12.9	12.9	12.9	-	
KW	1.95	1.94	1.94	-	2.17	2.17	2.16	-	2.42	2.42	2.41	-	2.69	2.69	2.69	-	2.99	2.99	2.99	-	3.35	3.35	3.34	-	

75	kBh	35.5	36.0	37.1	38.7	35.2	35.7	36.8	38.4	34.3	34.8	35.9	37.5	32.7	33.2	34.3	35.9	30.8	31.3	32.3	33.9	29.0	29.5	30.5	32.2
	S/T	0.73	0.66	0.53	0.39	0.74	0.67	0.53	0.39	1.00	0.69	0.56	0.42	1.00	0.71	0.58	0.44	1.00	0.73	0.60	0.46	1.00	1.00	0.65	0.51
	ΔT	25	23	20	16	25	23	20	16	26	24	20	16	25	23	20	16	25	23	19	16	26	24	21	17
	Lo PR	123	125	128	133	131	132	135	140	137	139	142	147	143	144	147	153	148	150	153	158	155	156	160	165
	Hi PR	243	244	246	250	281	283	284	288	322	323	324	329	365	366	367	372	411	412	414	418	461	462	464	468
	Amps	6.7	6.7	6.7	6.8	7.7	7.7	7.7	7.7	8.8	8.8	8.7	8.8	9.9	9.9	9.9	10.0	11.3	11.3	11.2	11.3	12.8	12.8	12.8	12.9
	KW	1.93	1.93	1.92	1.94	2.15	2.15	2.15	2.16	2.40	2.40	2.40	2.41	2.67	2.67	2.67	2.69	2.98	2.98	2.97	2.99	3.33	3.33	3.33	3.34
	kBh	35.9	36.4	37.5	39.1	35.6	36.1	37.1	38.8	34.7	35.2	36.2	37.8	33.1	33.6	34.6	36.2	31.1	31.6	32.7	34.3	29.3	29.8	30.9	32.5
	S/T	0.78	0.70	0.57	0.43	0.78	0.71	0.58	0.44	1.00	0.73	0.60	0.46	1.00	0.75	0.62	0.48	1.00	0.77	0.64	0.50	1.00	1.00	0.69	0.55
	ΔT	25	23	19	15	25	23	19	15	25	23	19	15	24	22	19	15	24	22	19	15	25	23	20	16
Lo PR	125	126	129	134	132	133	137	142	139	140	143	148	144	144	149	154	149	151	154	159	156	158	161	166	
Hi PR	245	246	248	252	283	284	286	290	323	324	326	330	366	367	369	373	413	414	416	420	463	464	465	469	
Amps	6.7	6.7	6.7	6.8	7.7	7.7	7.7	7.8	8.8	8.8	8.8	8.9	10.0	10.0	10.0	10.0	11.3	11.3	11.3	11.4	12.8	12.8	12.8	12.9	
KW	1.94	1.93	1.93	1.95	2.16	2.16	2.16	2.17	2.41	2.41	2.41	2.42	2.68	2.68	2.68	2.69	2.99	2.98	2.98	2.99	3.34	3.34	3.34	3.35	
kBh	36.3	36.8	37.9	39.5	36.0	36.5	37.6	39.2	35.1	35.6	36.6	38.2	33.5	34.0	35.0	36.7	31.5	32.0	33.1	34.7	29.8	30.3	31.3	32.9	
S/T	0.80	0.73	0.60	0.46	1.00	0.74	0.60	0.46	1.00	0.76	0.63	0.49	1.00	0.78	0.65	0.51	1.00	0.80	0.67	0.53	1.00	1.00	0.72	0.58	
ΔT	24	22	18	14	24	22	18	14	24	22	18	15	24	22	18	14	23	21	18	14	25	23	19	15	
Lo PR	126	128	131	136	133	135	138	143	140	142	145	150	146	147	150	155	151	152	156	161	158	159	162	168	
Hi PR	246	247	249	253	285	286	287	292	325	326	327	332	368	369	371	375	414	415	417	421	464	465	467	471	
Amps	6.8	6.8	6.8	6.8	7.8	7.7	7.7	7.8	8.8	8.8	8.8	8.9	10.0	10.0	10.0	10.1	11.3	11.3	11.3	11.4	12.9	12.9	12.9	12.9	
KW	1.94	1.94	1.94	1.96	2.17	2.17	2.16	2.18	2.42	2.42	2.41	2.43	2.69	2.69	2.68	2.70	2.99	2.99	2.99	3.00	3.35	3.35	3.34	3.36	

IDB = Entering Indoor Dry Bulb Temperature
 High and low pressures are measured at the liquid and suction service valves.
 Shaded area is ACCA (TVA) conditions
 kW = Total system power
 Amps = outdoor unit amps (comp.+fan)

EXPANDED COOLING DATA — GSXC180361B*+CA*F4961*6D*+EEP+TXV HIGH STAGE (CONT.)

IDB	AIRFLOW	OUTDOOR AMBIENT TEMPERATURE												ENTERING INDOOR WET BULB TEMPERATURE											
		65°F				75°F				85°F				95°F				105°F				115°F			
		59	63	67	71	59	63	67	71	59	63	67	71	59	63	67	71	59	63	67	71	59	63	67	71
80	kBh	35.7	36.2	37.3	38.9	35.4	35.9	37.0	38.6	34.5	35.0	36.0	37.7	32.9	33.4	34.4	36.1	30.9	31.4	32.5	34.1	29.2	29.7	30.7	32.3
	S/T	1.00	0.78	0.65	0.51	1.00	0.79	0.66	0.52	1.00	0.81	0.68	0.54	1.00	0.83	0.70	0.56	1.00	1.00	0.72	0.58	1.00	1.00	0.77	0.63
	ΔT	30	28	24	20	30	28	24	20	30	28	24	21	30	28	24	20	29	28	24	20	31	29	25	21
	Lo PR	124	125	128	134	131	133	136	141	138	139	142	148	143	145	148	153	149	150	153	158	155	157	160	165
	Hi PR	244	245	246	251	282	283	285	289	322	323	325	329	365	366	368	372	412	413	414	419	461	462	464	468
	Amps	6.7	6.7	6.7	6.8	7.7	7.7	7.7	7.7	8.8	8.8	8.7	8.8	10.0	9.9	9.9	10.0	11.3	11.3	11.2	11.3	12.8	12.8	12.8	12.9
	KW	1.93	1.93	1.92	1.94	2.15	2.15	2.15	2.17	2.40	2.40	2.40	2.42	2.68	2.67	2.67	2.69	2.98	2.98	2.97	2.99	3.33	3.33	3.33	3.35
	kBh	36.1	36.6	37.6	39.3	35.8	36.3	37.3	38.9	34.8	35.3	36.4	38.0	33.2	33.7	34.8	36.4	31.3	31.8	32.9	34.5	29.5	30.0	31.1	32.7
	S/T	1.00	0.83	0.69	0.55	1.00	0.83	0.70	0.56	1.00	0.86	0.72	0.58	1.00	1.00	0.74	0.60	1.00	1.00	0.76	0.62	1.00	1.00	0.81	0.67
	ΔT	29	27	23	19	29	27	23	19	29	27	23	20	29	27	23	19	29	27	23	19	30	28	24	20
	Lo PR	125	127	130	135	133	134	137	142	139	141	144	149	145	146	149	154	150	152	155	160	157	158	161	167
	Hi PR	245	246	248	252	283	285	286	290	324	325	326	331	367	368	369	374	413	414	416	420	463	464	466	470
Amps	6.7	6.7	6.7	6.8	7.7	7.7	7.7	7.8	8.8	8.8	8.8	8.9	10.0	10.0	10.0	10.0	11.3	11.3	11.3	11.4	12.9	12.8	12.8	12.9	
KW	1.94	1.94	1.93	1.95	2.16	2.16	2.16	2.17	2.41	2.41	2.41	2.42	2.68	2.68	2.68	2.70	2.99	2.99	2.98	3.00	3.34	3.34	3.34	3.35	
kBh	36.5	37.0	38.1	39.7	36.2	36.7	37.7	39.4	35.3	35.8	36.8	38.4	33.7	34.2	35.2	36.8	31.7	32.2	33.3	34.9	29.9	30.4	31.5	33.1	
S/T	1.00	0.85	0.72	0.58	1.00	0.86	0.73	0.59	1.00	0.88	0.75	0.61	1.00	1.00	0.77	0.63	1.00	1.00	0.79	0.65	1.00	1.00	0.84	0.70	
ΔT	28	26	22	19	28	26	22	19	28	26	23	19	28	26	22	19	28	26	22	18	29	27	23	20	
Lo PR	127	128	131	136	134	136	139	144	141	142	145	150	146	148	151	156	152	153	156	161	158	160	163	168	
Hi PR	247	248	249	254	285	286	288	292	325	326	328	332	368	369	371	375	415	416	418	422	464	466	467	471	
Amps	6.8	6.8	6.8	6.8	7.8	7.7	7.7	7.8	8.8	8.8	8.8	8.9	10.0	10.0	10.0	10.1	11.3	11.3	11.3	11.4	12.9	12.9	12.9	12.9	
KW	1.95	1.94	1.94	1.96	2.17	2.17	2.16	2.18	2.42	2.42	2.41	2.43	2.69	2.69	2.69	2.70	2.99	2.99	2.99	3.01	3.35	3.35	3.34	3.36	
85	kBh	36.3	36.8	37.9	39.5	36.0	36.5	37.6	39.2	35.1	35.6	36.6	38.2	33.5	34.0	35.0	36.7	31.5	32.0	33.1	34.7	29.8	30.3	31.3	32.9
	S/T	1.00	0.88	0.75	0.61	1.00	0.89	0.76	0.62	1.00	1.00	0.78	0.64	1.00	1.00	0.80	0.66	1.00	1.00	0.82	0.68	1.00	1.00	1.00	0.73
	ΔT	34	32	28	24	34	32	28	24	34	32	28	24	34	32	28	24	33	31	28	24	35	33	29	25
	Lo PR	126	127	130	135	133	134	138	143	140	141	144	149	145	147	150	155	150	152	155	160	157	159	162	167
	Hi PR	245	246	248	252	283	284	286	290	323	324	326	330	366	367	369	373	413	414	416	420	463	464	465	470
	Amps	6.7	6.7	6.7	6.8	7.7	7.7	7.7	7.8	8.8	8.8	8.8	8.8	10.0	10.0	9.9	10.0	11.3	11.3	11.3	11.3	12.8	12.8	12.8	12.9
	KW	1.93	1.93	1.93	1.94	2.16	2.16	2.15	2.17	2.41	2.41	2.40	2.42	2.68	2.68	2.67	2.69	2.98	2.98	2.98	2.99	3.34	3.34	3.33	3.35
	kBh	36.7	37.2	38.2	39.9	36.4	36.9	37.9	39.5	35.4	35.9	37.0	38.6	33.8	34.3	35.4	37.0	31.9	32.4	33.5	35.1	30.1	30.6	31.7	33.3
	S/T	1.00	0.92	0.79	0.65	1.00	1.00	0.80	0.66	1.00	1.00	0.82	0.68	1.00	1.00	0.84	0.70	1.00	1.00	0.86	0.72	1.00	1.00	1.00	0.77
	ΔT	33	31	27	23	33	31	27	23	33	31	27	24	33	31	27	23	32	31	27	23	34	32	28	24
	Lo PR	127	128	132	137	134	136	139	144	141	142	146	151	146	148	151	156	152	153	156	162	159	160	163	168
	Hi PR	246	247	249	253	285	286	287	292	325	326	327	332	368	369	371	375	414	415	417	421	464	465	467	471
Amps	6.8	6.8	6.7	6.8	7.7	7.7	7.7	7.8	8.8	8.8	8.8	8.9	10.0	10.0	10.0	10.1	11.3	11.3	11.3	11.4	12.9	12.9	12.8	12.9	
KW	1.94	1.94	1.94	1.95	2.17	2.16	2.16	2.18	2.42	2.42	2.41	2.43	2.69	2.69	2.68	2.70	2.99	2.99	2.99	3.00	3.35	3.34	3.34	3.36	
kBh	37.1	37.6	38.7	40.3	36.8	37.3	38.3	40.0	35.9	36.4	37.4	39.0	34.3	34.8	35.8	37.4	32.3	32.8	33.9	35.5	30.5	31.0	32.1	33.7	
S/T	1.00	0.95	0.82	0.68	1.00	1.00	0.83	0.69	1.00	1.00	0.85	0.71	1.00	1.00	0.87	0.73	1.00	1.00	0.89	0.75	1.00	1.00	1.00	0.80	
ΔT	32	30	26	23	32	30	26	22	32	30	27	23	32	30	26	22	32	30	26	22	33	31	27	23	
Lo PR	128	130	133	138	136	137	140	146	142	144	147	152	148	149	153	158	153	155	158	163	160	162	165	170	
Hi PR	248	249	251	255	286	287	289	293	326	327	329	333	369	370	372	376	416	417	419	423	466	467	468	473	
Amps	6.8	6.8	6.8	6.8	7.8	7.8	7.7	7.8	8.9	8.9	8.8	8.9	10.0	10.0	10.0	10.1	11.4	11.4	11.3	11.4	12.9	12.9	12.9	13.0	
KW	1.95	1.95	1.94	1.96	2.17	2.17	2.17	2.19	2.42	2.42	2.42	2.44	2.70	2.69	2.69	2.71	3.00	3.00	2.99	3.01	3.35	3.35	3.35	3.37	

IDB = Entering Indoor Dry Bulb Temperature
 High and low pressures are measured at the liquid and suction service valves.
 Shaded area is AHRI (TVA) conditions
 kW = Total system power
 Amps = outdoor unit amps (comp.+fan)

IDB	AIRFLOW	OUTDOOR AMBIENT TEMPERATURE																								
		65°F				75°F				85°F				95°F				105°F				115°F				
		59	63	67	71	59	63	67	71	59	63	67	71	59	63	67	71	59	63	67	71	59	63	67	71	
70	1260	kBh	35.9	36.4	37.4	-	35.5	36.0	37.1	-	34.6	35.1	36.2	-	33.0	33.5	34.6	-	31.0	31.5	32.6	-	29.2	29.8	30.8	-
		S/T	0.61	0.54	0.41	-	0.62	0.55	0.41	-	0.64	0.57	0.44	-	0.66	0.59	0.46	-	1.00	0.61	0.48	-	1.00	0.66	0.53	-
		ΔT	21	19	15	-	21	19	15	-	21	19	16	-	21	19	15	-	21	19	15	-	22	20	16	-
	1400	Lo PR	121	123	126	-	128	130	133	-	135	136	139	-	140	142	145	-	146	147	150	-	152	154	157	-
		Hi PR	224	225	226	-	259	260	262	-	296	297	298	-	336	337	338	-	378	379	381	-	424	425	427	-
		Amps	5.9	5.9	5.9	-	6.7	6.7	6.7	-	7.7	7.7	7.6	-	8.7	8.7	8.7	-	9.8	9.8	9.8	-	11.2	11.2	11.1	-
1540	kBh	1.67	1.67	1.67	-	1.87	1.87	1.86	-	2.08	2.08	2.08	-	2.32	2.32	2.31	-	2.58	2.58	2.58	-	2.89	2.89	2.88	-	
	S/T	0.65	0.58	0.44	-	0.66	0.58	0.45	-	0.68	0.61	0.47	-	0.70	0.63	0.49	-	1.00	0.65	0.51	-	1.00	0.70	0.57	-	
	ΔT	20	18	14	-	20	18	14	-	20	18	15	-	20	18	14	-	20	18	14	-	21	19	15	-	

IDB	AIRFLOW	OUTDOOR AMBIENT TEMPERATURE																								
		65°F				75°F				85°F				95°F				105°F				115°F				
		59	63	67	71	59	63	67	71	59	63	67	71	59	63	67	71	59	63	67	71	59	63	67	71	
75	1260	kBh	35.9	36.4	37.4	39.1	35.6	36.1	37.1	38.8	34.6	35.1	36.2	37.8	33.0	33.5	34.6	36.2	31.1	31.6	32.6	34.3	29.3	29.8	30.8	32.5
		S/T	0.74	0.66	0.53	0.39	0.75	0.67	0.54	0.40	1.00	0.70	0.56	0.42	1.00	0.71	0.58	0.44	1.00	0.74	0.60	0.46	1.00	0.79	0.65	0.51
		ΔT	25	23	20	16	25	23	20	16	25	24	20	16	25	23	20	16	25	23	19	15	26	24	21	17
	1400	Lo PR	121	123	126	131	129	130	133	138	135	136	140	145	140	142	145	150	146	147	150	155	152	154	157	162
		Hi PR	224	225	227	230	259	260	262	266	296	297	299	303	336	337	338	342	379	380	381	385	424	425	427	431
		Amps	5.9	5.9	5.8	5.9	6.7	6.7	6.7	6.8	7.7	7.7	7.6	7.7	8.7	8.7	8.7	8.7	9.8	9.8	9.8	9.9	11.2	11.1	11.1	11.2
1540	kBh	1.67	1.67	1.67	1.68	1.87	1.86	1.86	1.88	2.08	2.08	2.08	2.09	2.32	2.32	2.31	2.33	2.58	2.58	2.58	2.59	2.89	2.89	2.88	2.90	
	S/T	0.78	0.70	0.57	0.43	0.78	0.71	0.58	0.44	1.00	0.73	0.60	0.46	1.00	0.75	0.62	0.48	1.00	0.77	0.64	0.50	1.00	1.00	0.69	0.55	
	ΔT	24	23	19	15	24	22	19	15	25	23	19	15	24	22	19	15	24	22	18	15	25	23	20	16	

IDB = Entering Indoor Dry Bulb Temperature
 High and low pressures are measured at the liquid and suction service valves.
 Shaded area is ACCA (TVA) conditions
 kW = Total system power
 Amps = outdoor unit amps (comp.+fan)

EXPANDED COOLING DATA — GSXC180481B*+CA*F4961*6D*+EEP+TXV LOW STAGE (CONT.)

IDB	AIRFLOW	OUTDOOR AMBIENT TEMPERATURE												ENTERING INDOOR WET BULB TEMPERATURE											
		65°F				75°F				85°F				95°F				105°F				115°F			
		59	63	67	71	59	63	67	71	59	63	67	71	59	63	67	71	59	63	67	71	59	63	67	71
80	kBh	36.1	36.6	37.6	39.3	35.7	36.2	37.3	38.9	34.8	35.3	36.4	38.0	33.2	33.7	34.8	36.4	31.2	31.7	32.8	34.4	29.5	30.0	31.0	32.7
	S/T	0.86	0.79	0.66	0.52	1.00	0.79	0.66	0.52	1.00	0.82	0.69	0.55	1.00	0.84	0.70	0.57	1.00	1.00	0.73	0.59	1.00	1.00	0.78	0.64
	ΔT	30	28	24	20	30	28	24	20	30	28	24	20	30	28	24	20	29	27	24	20	31	29	25	21
	Lo PR	122	123	126	131	129	131	134	139	135	137	140	145	141	142	145	151	146	148	151	156	153	154	157	163
	Hi PR	224	225	227	231	260	261	262	266	297	297	299	303	336	337	339	343	379	380	382	385	425	426	427	431
	Amps	5.9	5.9	5.9	5.9	6.7	6.7	6.7	6.8	7.7	7.7	7.7	7.7	8.7	8.7	8.7	8.7	9.8	9.8	9.8	9.9	11.2	11.2	11.2	11.2
	KW	1.67	1.67	1.67	1.68	1.87	1.87	1.86	1.88	2.08	2.08	2.08	2.09	2.32	2.32	2.31	2.33	2.58	2.58	2.58	2.59	2.89	2.89	2.88	2.90
	kBh	36.4	36.9	38.0	39.6	36.1	36.6	37.6	39.3	35.1	35.6	36.7	38.3	33.5	34.0	35.1	36.7	31.6	32.1	33.1	34.8	29.8	30.3	31.4	33.0
	S/T	1.00	0.82	0.69	0.55	1.00	0.83	0.70	0.56	1.00	0.86	0.72	0.58	1.00	0.87	0.74	0.60	1.00	1.00	0.76	0.62	1.00	1.00	0.81	0.67
	ΔT	29	27	23	19	29	27	23	19	29	27	23	20	29	27	23	19	29	27	23	19	30	28	24	20
Lo PR	123	124	128	133	130	132	135	140	137	138	141	146	142	144	147	152	147	149	152	157	154	156	159	164	
Hi PR	226	227	228	232	261	262	263	267	298	299	300	304	338	338	340	344	380	381	383	387	426	427	429	432	
Amps	5.9	5.9	5.9	5.9	6.7	6.7	6.7	6.8	7.7	7.7	7.7	7.7	8.7	8.7	8.7	8.8	9.9	9.8	9.8	9.9	11.2	11.2	11.2	11.2	
KW	1.68	1.68	1.68	1.69	1.87	1.87	1.87	1.88	2.09	2.09	2.09	2.10	2.33	2.33	2.32	2.34	2.59	2.59	2.58	2.60	2.90	2.89	2.89	2.91	
kBh	36.8	37.3	38.4	40.0	36.5	37.0	38.1	39.7	35.6	36.1	37.1	38.8	34.0	34.5	35.5	37.2	32.0	32.5	33.6	35.2	30.2	30.7	31.8	33.4	
S/T	1.00	0.85	0.72	0.58	1.00	0.86	0.73	0.59	1.00	0.88	0.75	0.61	1.00	0.90	0.77	0.63	1.00	1.00	0.79	0.65	1.00	1.00	0.84	0.70	
ΔT	28	26	22	19	28	26	22	19	28	26	23	19	28	26	22	19	28	26	22	18	29	27	23	19	
Lo PR	124	126	129	134	132	133	136	141	138	140	143	148	144	145	148	153	149	150	154	159	156	157	160	165	
Hi PR	227	228	230	234	262	263	265	269	299	300	302	306	339	340	341	345	382	383	384	388	427	428	430	434	
Amps	5.9	5.9	5.9	6.0	6.8	6.8	6.8	6.8	7.7	7.7	7.7	7.8	8.7	8.7	8.7	8.8	9.9	9.9	9.9	9.9	11.2	11.2	11.2	11.3	
KW	1.69	1.68	1.68	1.70	1.88	1.88	1.88	1.89	2.10	2.10	2.10	2.11	2.33	2.33	2.33	2.34	2.59	2.59	2.59	2.60	2.90	2.90	2.90	2.91	
85	kBh	36.7	37.2	38.2	39.9	36.3	36.8	37.9	39.5	35.4	35.9	37.0	38.6	33.8	34.3	35.4	37.0	31.8	32.3	33.4	35.0	30.1	30.6	31.6	33.3
	S/T	1.00	0.89	0.75	0.61	1.00	0.89	0.76	0.62	1.00	1.00	0.78	0.64	1.00	1.00	0.80	0.66	1.00	1.00	0.83	0.69	1.00	1.00	1.00	0.74
	ΔT	34	32	28	24	33	31	28	24	34	32	28	24	33	31	28	24	33	31	28	24	34	32	29	25
	Lo PR	124	125	128	133	131	132	135	141	137	139	142	147	143	144	147	152	148	150	153	158	155	156	159	164
	Hi PR	225	226	228	232	261	262	263	267	298	299	300	304	337	338	340	344	380	381	383	387	426	427	428	432
	Amps	5.9	5.9	5.9	5.9	6.7	6.7	6.7	6.8	7.7	7.7	7.7	7.7	8.7	8.7	8.7	8.7	9.8	9.8	9.8	9.9	11.2	11.2	11.2	11.2
	KW	1.68	1.68	1.67	1.69	1.87	1.87	1.87	1.88	2.09	2.09	2.08	2.10	2.32	2.32	2.32	2.33	2.59	2.58	2.58	2.60	2.89	2.89	2.89	2.90
	kBh	37.0	37.5	38.6	40.2	36.7	37.2	38.2	39.9	35.7	36.2	37.3	38.9	34.1	34.6	35.7	37.3	32.2	32.7	33.7	35.4	30.4	30.9	32.0	33.6
	S/T	1.00	0.92	0.79	0.65	1.00	0.93	0.80	0.66	1.00	1.00	0.82	0.68	1.00	1.00	0.84	0.70	1.00	1.00	0.86	0.72	1.00	1.00	1.00	0.77
	ΔT	33	31	27	23	33	31	27	23	33	31	27	23	33	31	27	23	32	30	27	23	34	32	28	24
Lo PR	125	126	129	134	132	134	137	142	139	140	143	148	144	145	149	154	149	151	154	159	156	157	161	166	
Hi PR	227	228	229	233	262	263	264	268	299	300	301	305	339	340	341	345	381	382	384	388	427	428	430	434	
Amps	5.9	5.9	5.9	6.0	6.8	6.8	6.7	6.8	7.7	7.7	7.7	7.8	8.7	8.7	8.7	8.8	9.9	9.9	9.8	9.9	11.2	11.2	11.2	11.2	
KW	1.68	1.68	1.68	1.69	1.88	1.88	1.87	1.89	2.09	2.09	2.09	2.10	2.33	2.33	2.32	2.34	2.59	2.59	2.59	2.60	2.90	2.90	2.89	2.91	
kBh	37.4	37.9	39.0	40.6	37.1	37.6	38.7	40.3	36.2	36.7	37.7	39.4	34.6	35.1	36.1	37.8	32.6	33.1	34.2	35.8	30.8	31.3	32.4	34.0	
S/T	1.00	0.95	0.82	0.68	1.00	0.96	0.82	0.68	1.00	1.00	0.85	0.71	1.00	1.00	0.87	0.73	1.00	1.00	0.89	0.75	1.00	1.00	1.00	0.80	
ΔT	32	30	26	22	32	30	26	22	32	30	27	23	32	30	26	22	32	30	26	22	33	31	27	23	
Lo PR	126	128	131	136	134	135	138	143	140	141	145	150	145	147	150	155	151	152	155	160	157	159	162	167	
Hi PR	228	229	231	235	263	264	266	270	300	301	303	307	340	341	343	346	383	384	385	389	429	429	431	435	
Amps	5.9	5.9	5.9	6.0	6.8	6.8	6.8	6.8	7.7	7.7	7.7	7.8	8.8	8.7	8.7	8.8	9.9	9.9	9.9	9.9	11.2	11.2	11.2	11.3	
KW	1.69	1.69	1.69	1.70	1.88	1.88	1.88	1.89	2.10	2.10	2.10	2.11	2.34	2.33	2.33	2.35	2.60	2.60	2.59	2.61	2.91	2.90	2.90	2.92	

IDB = Entering Indoor Dry Bulb Temperature
 High and low pressures are measured at the liquid and suction service valves.
 Shaded area is AHRI (TVA) conditions
 kW = Total system power
 Amps = outdoor unit amps (comp.+fan)

IDB		OUTDOOR AMBIENT TEMPERATURE												ENTERING INDOOR WET BULB TEMPERATURE											
		65°F				75°F				85°F				95°F				105°F				115°F			
		59	63	67	71	59	63	67	71	59	63	67	71	59	63	67	71	59	63	67	71	59	63	67	71
70	kBh	49.8	50.5	52.0	-	49.4	50.1	51.5	-	48.1	48.8	50.2	-	45.8	46.5	48.0	-	43.1	43.8	45.3	-	40.6	41.3	42.8	-
	S/T	0.59	0.52	0.39	-	0.60	0.52	0.39	-	0.62	0.55	0.42	-	0.64	0.57	0.44	-	0.66	0.59	0.46	-	1.00	0.64	0.51	-
	ΔT	22	20	16	-	22	20	16	-	22	20	16	-	22	20	16	-	21	19	16	-	23	21	17	-
	Lo PR	118	119	122	-	125	126	129	-	131	133	135	-	136	138	141	-	142	143	146	-	148	149	152	-
	Hi PR	234	235	237	-	271	272	273	-	309	310	312	-	351	352	353	-	396	397	398	-	443	444	446	-
	Amps	9.3	9.3	9.3	-	10.7	10.7	10.6	-	12.2	12.2	12.1	-	13.8	13.8	13.8	-	15.6	15.6	15.6	-	17.7	17.7	17.7	-
	KW	2.66	2.66	2.65	-	2.97	2.97	2.96	-	3.31	3.31	3.30	-	3.69	3.68	3.68	-	4.10	4.10	4.09	-	4.59	4.59	4.58	-
	kBh	50.3	51.0	52.5	-	49.9	50.6	52.1	-	48.6	49.3	50.8	-	46.4	47.1	48.5	-	43.6	44.3	45.8	-	41.1	41.8	43.3	-
	S/T	0.63	0.56	0.43	-	0.64	0.57	0.44	-	0.66	0.59	0.46	-	0.68	0.61	0.48	-	0.70	0.63	0.50	-	1.00	0.68	0.55	-
	ΔT	21	19	15	-	21	19	15	-	21	19	15	-	21	19	15	-	21	18	15	-	22	20	16	-
Lo PR	119	121	123	-	126	128	131	-	132	134	137	-	138	139	142	-	143	144	147	-	149	151	154	-	
Hi PR	235	236	238	-	272	273	275	-	311	312	314	-	352	353	355	-	397	398	400	-	445	446	448	-	
Amps	9.4	9.4	9.4	-	10.7	10.7	10.7	-	12.2	12.2	12.2	-	13.9	13.8	13.8	-	15.7	15.7	15.6	-	17.8	17.8	17.8	-	
KW	2.67	2.67	2.66	-	2.98	2.98	2.97	-	3.32	3.32	3.32	-	3.70	3.70	3.69	-	4.11	4.11	4.11	-	4.60	4.60	4.60	-	
kBh	50.9	51.6	53.1	-	50.5	51.2	52.7	-	49.2	49.9	51.4	-	47.0	47.7	49.2	-	44.2	44.9	46.4	-	41.8	42.5	43.9	-	
S/T	0.66	0.59	0.46	-	0.67	0.59	0.47	-	0.69	0.62	0.49	-	0.71	0.64	0.51	-	1.00	0.66	0.53	-	1.00	0.71	0.58	-	
ΔT	20	18	14	-	20	18	14	-	20	18	14	-	20	18	14	-	20	18	14	-	21	19	15	-	
Lo PR	121	122	125	-	128	129	132	-	134	135	138	-	139	141	144	-	144	146	149	-	151	152	155	-	
Hi PR	237	238	240	-	274	275	276	-	312	313	315	-	354	355	357	-	399	400	401	-	447	448	449	-	
Amps	9.4	9.4	9.4	-	10.8	10.8	10.7	-	12.3	12.3	12.2	-	13.9	13.9	13.9	-	15.7	15.7	15.7	-	17.8	17.8	17.8	-	
KW	2.68	2.68	2.67	-	2.99	2.99	2.98	-	3.34	3.33	3.33	-	3.71	3.71	3.70	-	4.13	4.12	4.12	-	4.61	4.61	4.61	-	

IDB		OUTDOOR AMBIENT TEMPERATURE												ENTERING INDOOR WET BULB TEMPERATURE											
		65°F				75°F				85°F				95°F				105°F				115°F			
		59	63	67	71	59	63	67	71	59	63	67	71	59	63	67	71	59	63	67	71	59	63	67	71
75	kBh	49.8	50.5	52.0	54.3	49.4	50.1	51.6	53.8	48.1	48.8	50.3	52.5	45.9	46.6	48.0	50.3	43.1	43.8	45.3	47.6	40.6	41.3	42.8	45.1
	S/T	0.71	0.64	0.51	0.38	0.72	0.65	0.52	0.38	0.74	0.67	0.54	0.41	1.00	0.69	0.56	0.42	1.00	0.71	0.58	0.44	1.00	0.76	0.63	0.49
	ΔT	26	24	20	17	26	24	20	16	27	25	21	17	26	24	20	16	26	24	20	16	27	25	21	17
	Lo PR	118	119	122	127	125	126	129	134	131	133	136	141	136	138	141	146	142	143	146	151	148	150	152	157
	Hi PR	234	235	237	241	271	272	274	278	309	311	312	316	351	352	354	358	396	397	399	403	444	445	446	450
	Amps	9.3	9.3	9.3	9.4	10.7	10.7	10.6	10.7	12.2	12.2	12.1	12.2	13.8	13.8	13.8	13.9	15.6	15.6	15.6	15.7	17.7	17.7	17.7	17.8
	KW	2.66	2.65	2.65	2.67	2.97	2.96	2.96	2.98	3.31	3.31	3.30	3.33	3.68	3.68	3.68	3.70	4.10	4.10	4.09	4.12	4.59	4.59	4.58	4.61
	kBh	50.4	51.1	52.5	54.8	49.9	50.6	52.1	54.4	48.6	49.3	50.8	53.1	46.4	47.1	48.6	50.8	43.7	44.4	45.8	48.1	41.2	41.9	43.4	45.6
	S/T	0.76	0.68	0.55	0.42	0.76	0.69	0.56	0.42	0.79	0.71	0.58	0.45	1.00	0.73	0.60	0.47	1.00	0.75	0.62	0.49	1.00	0.80	0.67	0.54
	ΔT	25	23	20	16	25	23	19	15	26	24	20	16	25	23	19	15	25	23	19	15	26	24	20	16
Lo PR	119	121	124	129	126	128	131	136	132	134	137	142	138	139	142	147	143	144	147	152	149	151	154	159	
Hi PR	236	237	238	242	272	273	275	279	311	312	314	318	353	354	355	359	397	398	400	404	445	446	448	452	
Amps	9.4	9.4	9.3	9.4	10.7	10.7	10.7	10.8	12.2	12.2	12.2	12.3	13.8	13.8	13.8	13.9	15.7	15.6	15.6	15.7	17.8	17.8	17.7	17.9	
KW	2.67	2.67	2.66	2.69	2.98	2.98	2.97	2.99	3.32	3.32	3.32	3.34	3.70	3.69	3.69	3.71	4.11	4.11	4.11	4.13	4.60	4.60	4.59	4.62	
kBh	51.0	51.7	53.2	55.4	50.5	51.2	52.7	55.0	49.2	49.9	51.4	53.7	47.0	47.7	49.2	51.5	44.3	45.0	46.5	48.7	41.8	42.5	44.0	46.2	
S/T	0.78	0.71	0.58	0.45	0.79	0.72	0.59	0.45	1.00	0.74	0.61	0.48	1.00	0.76	0.63	0.49	1.00	0.78	0.65	0.52	1.00	0.83	0.70	0.56	
ΔT	25	22	19	15	24	22	19	15	25	23	19	15	24	22	19	15	24	22	18	14	25	23	20	16	
Lo PR	121	122	125	130	128	129	132	137	134	135	138	143	139	141	144	149	144	146	149	154	151	152	155	160	
Hi PR	237	238	240	244	274	275	277	281	313	314	315	319	354	355	357	361	399	400	402	406	447	448	449	454	
Amps	9.4	9.4	9.4	9.5	10.8	10.8	10.7	10.8	12.3	12.3	12.2	12.3	13.9	13.9	13.9	14.0	15.7	15.7	15.7	15.8	17.8	17.8	17.8	17.9	
KW	2.68	2.68	2.67	2.70	2.99	2.99	2.98	3.00	3.33	3.33	3.33	3.35	3.71	3.71	3.70	3.72	4.12	4.12	4.12	4.14	4.61	4.61	4.61	4.63	

IDB = Entering Indoor Dry Bulb Temperature
 High and low pressures are measured at the liquid and suction service valves.
 Shaded area is ACCA (TVA) conditions
 kW = Total system power
 Amps = outdoor unit amps (comp.+fan)

IDB	AIRFLOW	OUTDOOR AMBIENT TEMPERATURE																							
		65°F				75°F				85°F				95°F				105°F				115°F			
		59	63	67	71	59	63	67	71	59	63	67	71	59	63	67	71	59	63	67	71	59	63	67	71
80	kBh	50.1	50.8	52.3	54.5	49.6	50.3	51.8	54.1	48.3	49.0	50.5	52.8	46.1	46.8	48.3	50.6	43.4	44.1	45.6	47.8	40.9	41.6	43.1	45.3
	S/T	0.83	0.76	0.63	0.49	1.00	0.77	0.64	0.50	1.00	0.79	0.66	0.52	1.00	0.81	0.68	0.54	1.00	0.83	0.70	0.56	1.00	1.00	0.75	0.61
	ΔT	31	29	25	21	31	29	25	21	31	29	25	21	31	29	25	21	31	28	25	21	32	30	26	22
	Lo PR	118	120	123	128	125	127	130	135	132	133	136	141	137	138	141	146	142	144	147	152	149	150	153	158
	Hi PR	234	236	237	241	271	272	274	278	310	311	313	317	351	352	354	358	396	397	399	403	444	445	447	451
	Amps	9.3	9.3	9.3	9.4	10.7	10.7	10.6	10.7	12.2	12.2	12.1	12.2	13.8	13.8	13.8	13.9	15.6	15.6	15.6	15.7	17.7	17.7	17.7	17.8
	KW	2.66	2.66	2.65	2.67	2.97	2.96	2.96	2.98	3.31	3.31	3.30	3.33	3.69	3.68	3.68	3.70	4.10	4.10	4.09	4.12	4.59	4.59	4.58	4.61
	kBh	50.6	51.3	52.8	55.1	50.2	50.9	52.4	54.6	48.9	49.6	51.1	53.3	46.6	47.3	48.8	51.1	43.9	44.6	46.1	48.4	41.4	42.1	43.6	45.9
	S/T	0.88	0.80	0.67	0.54	1.00	0.81	0.68	0.54	1.00	0.83	0.70	0.57	1.00	0.85	0.72	0.59	1.00	0.87	0.74	0.61	1.00	1.00	0.79	0.66
	ΔT	30	28	24	20	30	28	24	20	30	28	24	20	30	28	24	20	30	28	24	20	31	29	25	21
Lo PR	120	121	124	129	127	128	131	136	133	134	137	142	138	140	143	148	143	145	148	153	150	151	154	159	
Hi PR	236	237	239	243	273	274	276	280	311	313	314	318	353	354	356	360	398	399	401	405	446	447	448	452	
Amps	9.4	9.4	9.4	9.5	10.7	10.7	10.7	10.8	12.2	12.2	12.2	12.3	13.9	13.8	13.8	13.9	15.7	15.7	15.6	15.7	17.8	17.8	17.8	17.9	
KW	2.67	2.67	2.66	2.69	2.98	2.98	2.97	3.00	3.32	3.32	3.32	3.34	3.70	3.70	3.70	3.71	4.11	4.11	4.11	4.13	4.60	4.60	4.60	4.62	
kBh	51.2	51.9	53.4	55.7	50.8	51.5	53.0	55.2	49.5	50.2	51.7	53.9	47.3	48.0	49.4	51.7	44.5	45.2	46.7	49.0	42.0	42.7	44.2	46.5	
S/T	0.90	0.83	0.70	0.57	1.00	0.84	0.71	0.57	1.00	0.86	0.73	0.60	1.00	0.88	0.75	0.61	1.00	1.00	0.77	0.63	1.00	1.00	0.82	0.68	
ΔT	29	27	23	19	29	27	23	19	29	27	23	19	29	27	23	19	29	27	23	19	30	28	24	20	
Lo PR	121	123	126	131	128	130	133	138	135	136	139	144	140	141	144	149	145	146	149	154	151	153	156	161	
Hi PR	238	239	240	244	274	275	277	281	313	314	316	320	355	356	357	361	399	400	402	406	447	448	450	454	
Amps	9.4	9.4	9.4	9.5	10.8	10.8	10.7	10.8	12.3	12.3	12.2	12.3	13.9	13.9	13.9	14.0	15.7	15.7	15.7	15.8	17.8	17.8	17.8	17.9	
KW	2.68	2.68	2.67	2.70	2.99	2.99	2.98	3.01	3.34	3.33	3.33	3.35	3.71	3.71	3.71	3.72	4.13	4.12	4.12	4.14	4.61	4.61	4.61	4.63	
85	kBh	50.9	51.6	53.1	55.4	50.5	51.2	52.7	54.9	49.2	49.9	51.4	53.6	46.9	47.6	49.1	51.4	44.2	44.9	46.4	48.7	41.7	42.4	43.9	46.2
	S/T	1.00	0.86	0.73	0.59	1.00	0.86	0.73	0.60	1.00	0.89	0.76	0.62	1.00	1.00	0.78	0.64	1.00	1.00	0.80	0.66	1.00	1.00	0.85	0.71
	ΔT	35	33	29	25	35	33	29	25	35	33	29	25	35	33	29	25	35	32	29	25	36	34	30	26
	Lo PR	120	121	124	129	127	129	132	137	133	135	138	143	139	140	143	148	144	145	148	153	150	152	155	160
	Hi PR	236	237	238	242	272	273	275	279	311	312	314	318	353	354	355	359	397	398	400	404	445	446	448	452
	Amps	9.4	9.3	9.3	9.4	10.7	10.7	10.7	10.8	12.2	12.2	12.2	12.3	13.8	13.8	13.8	13.9	15.6	15.6	15.6	15.7	17.8	17.7	17.7	17.8
	KW	2.66	2.66	2.66	2.68	2.97	2.97	2.97	2.99	3.32	3.32	3.31	3.33	3.69	3.69	3.68	3.71	4.11	4.11	4.10	4.12	4.60	4.59	4.59	4.61
	kBh	51.5	52.2	53.6	55.9	51.0	51.7	53.2	55.5	49.7	50.4	51.9	54.2	47.5	48.2	49.7	51.9	44.8	45.5	46.9	49.2	42.3	43.0	44.4	46.7
	S/T	1.00	0.90	0.77	0.63	1.00	0.91	0.78	0.64	1.00	1.00	0.80	0.66	1.00	1.00	0.82	0.68	1.00	1.00	0.84	0.70	1.00	1.00	0.89	0.75
	ΔT	34	32	28	24	34	32	28	24	34	32	28	24	34	32	28	24	34	32	28	24	35	33	29	25
Lo PR	121	123	126	131	129	130	133	138	135	136	139	144	140	141	144	149	145	147	150	155	152	153	156	161	
Hi PR	237	238	240	244	274	275	277	281	313	314	315	319	354	355	357	361	399	400	402	406	447	448	449	453	
Amps	9.4	9.4	9.4	9.5	10.8	10.7	10.7	10.8	12.3	12.2	12.2	12.3	13.9	13.9	13.8	13.9	15.7	15.7	15.7	15.8	17.8	17.8	17.8	17.9	
KW	2.68	2.67	2.67	2.69	2.98	2.98	2.98	3.00	3.33	3.33	3.32	3.35	3.70	3.70	3.70	3.72	4.12	4.12	4.11	4.14	4.61	4.61	4.60	4.63	
kBh	52.1	52.8	54.3	56.5	51.6	52.3	53.8	56.1	50.3	51.0	52.5	54.8	48.1	48.8	50.3	52.5	45.4	46.1	47.6	49.8	42.9	43.6	45.1	47.3	
S/T	1.00	0.93	0.80	0.66	1.00	0.93	0.80	0.67	1.00	1.00	0.83	0.69	1.00	1.00	0.85	0.71	1.00	1.00	0.87	0.73	1.00	1.00	0.92	0.78	
ΔT	33	31	27	23	33	31	27	23	33	31	27	23	33	31	27	23	33	31	27	23	34	32	28	24	
Lo PR	123	124	127	132	130	131	134	139	136	138	141	146	142	143	146	151	147	148	151	156	153	155	158	163	
Hi PR	239	240	241	245	276	277	278	282	314	315	317	321	356	357	358	362	400	402	403	407	448	449	451	455	
Amps	9.5	9.4	9.4	9.5	10.8	10.8	10.8	10.9	12.3	12.3	12.3	12.4	13.9	13.9	13.9	14.0	15.7	15.7	15.7	15.8	17.9	17.9	17.8	17.9	
KW	2.69	2.69	2.68	2.70	3.00	2.99	2.99	3.01	3.34	3.34	3.33	3.36	3.71	3.71	3.71	3.73	4.13	4.13	4.12	4.15	4.62	4.62	4.61	4.64	

IDB = Entering Indoor Dry Bulb Temperature
 High and low pressures are measured at the liquid and suction service valves.
 Shaded area is AHRI (TVA) conditions
 kW = Total system power
 Amps = outdoor unit amps (comp.+fan)

		OUTDOOR AMBIENT TEMPERATURE																								
		65°F				75°F				85°F				95°F				105°F				115°F				
IDB	AIRFLOW	59	63	67	71	59	63	67	71	59	63	67	71	59	63	67	71	59	63	67	71	59	63	67	71	
70	1150	MBh	41.4	42.0	43.3	-	41.1	41.7	42.9	-	40.0	40.6	41.8	-	38.1	38.7	40.0	-	35.9	36.5	37.7	-	33.8	34.4	35.6	-
		S/T	0.60	0.52	0.40	-	0.60	0.53	0.40	-	0.63	0.55	0.43	-	0.64	0.57	0.44	-	0.66	0.59	0.46	-	1.00	0.64	0.51	-
		ΔT	22	20	16	-	22	20	16	-	22	20	16	-	22	20	16	-	22	20	16	-	23	21	17	-
		Lo PR	116	118	121	-	123	125	128	-	130	131	134	-	135	136	139	-	140	141	144	-	146	148	151	-
	Hi PR	232	233	234	-	268	269	271	-	306	307	309	-	347	348	350	-	392	393	394	-	439	440	442	-	
	Amps	7.2	7.2	7.2	-	8.3	8.3	8.3	-	9.5	9.5	9.5	-	10.8	10.8	10.7	-	12.2	12.2	12.2	-	13.9	13.9	13.8	-	
	KW	2.01	2.00	2.00	-	2.25	2.25	2.24	-	2.52	2.52	2.51	-	2.82	2.81	2.81	-	3.14	3.14	3.14	-	3.53	3.53	3.52	-	
	1250	MBh	41.8	42.4	43.6	-	41.4	42.0	43.2	-	40.4	40.9	42.2	-	38.5	39.1	40.3	-	36.2	36.8	38.1	-	34.2	34.7	36.0	-
		S/T	0.63	0.56	0.43	-	0.63	0.56	0.43	-	0.66	0.59	0.46	-	0.68	0.60	0.48	-	0.70	0.63	0.50	-	1.00	0.67	0.55	-
		ΔT	21	19	15	-	21	19	15	-	21	19	15	-	21	19	15	-	21	19	15	-	22	20	16	-
		Lo PR	117	119	122	-	124	126	129	-	131	132	135	-	136	137	140	-	141	142	145	-	147	149	152	-
	Hi PR	233	234	235	-	269	270	272	-	307	308	310	-	349	350	351	-	393	394	395	-	440	441	443	-	
Amps	7.3	7.3	7.2	-	8.3	8.3	8.3	-	9.5	9.5	9.5	-	10.8	10.8	10.8	-	12.2	12.2	12.2	-	13.9	13.9	13.9	-		
KW	2.01	2.01	2.01	-	2.26	2.25	2.25	-	2.53	2.53	2.52	-	2.82	2.82	2.82	-	3.15	3.15	3.15	-	3.54	3.54	3.53	-		
1400	MBh	42.4	43.0	44.2	-	42.1	42.6	43.9	-	41.0	41.6	42.8	-	39.1	39.7	40.9	-	36.9	37.4	38.7	-	34.8	35.4	36.6	-	
	S/T	0.66	0.59	0.46	-	0.67	0.59	0.47	-	0.69	0.62	0.49	-	0.71	0.64	0.51	-	0.73	0.66	0.53	-	1.00	0.71	0.58	-	
	ΔT	20	18	14	-	20	18	14	-	20	18	14	-	20	18	14	-	20	18	14	-	21	19	15	-	
	Lo PR	119	121	124	-	126	128	131	-	132	134	137	-	138	139	142	-	143	144	147	-	149	151	154	-	
Hi PR	235	236	237	-	271	272	274	-	309	310	312	-	350	351	353	-	395	396	397	-	442	443	445	-		
Amps	7.3	7.3	7.3	-	8.4	8.4	8.4	-	9.6	9.6	9.5	-	10.8	10.8	10.8	-	12.3	12.3	12.2	-	14.0	13.9	13.9	-		
KW	2.02	2.02	2.02	-	2.27	2.26	2.26	-	2.54	2.54	2.53	-	2.83	2.83	2.83	-	3.16	3.16	3.16	-	3.55	3.55	3.54	-		

		OUTDOOR AMBIENT TEMPERATURE																								
		65°F				75°F				85°F				95°F				105°F				115°F				
IDB	AIRFLOW	59	63	67	71	59	63	67	71	59	63	67	71	59	63	67	71	59	63	67	71	59	63	67	71	
75	1150	MBh	41.5	42.0	43.3	45.2	41.1	41.7	42.9	44.8	40.0	40.6	41.8	43.7	38.2	38.7	40.0	41.9	35.9	36.5	37.7	39.6	33.8	34.4	35.6	37.5
		S/T	0.72	0.65	0.52	0.38	0.72	0.65	0.52	0.39	0.75	0.68	0.55	0.41	1.00	0.69	0.57	0.43	1.00	0.71	0.59	0.45	1.00	0.76	0.64	0.50
		ΔT	27	24	21	17	26	24	21	16	27	25	21	17	26	24	20	16	26	24	20	16	27	25	22	17
		Lo PR	116	118	121	126	123	125	128	133	130	131	134	139	135	136	139	144	140	141	144	149	146	148	151	156
	Hi PR	232	233	234	238	268	269	271	275	306	307	309	313	348	349	350	354	392	393	394	398	439	440	442	446	
	Amps	7.2	7.2	7.2	7.3	8.3	8.3	8.3	8.3	9.5	9.5	9.4	9.5	10.8	10.7	10.7	10.8	12.2	12.2	12.2	12.2	13.9	13.9	13.8	13.9	
	KW	2.00	2.00	2.00	2.02	2.25	2.25	2.24	2.26	2.52	2.52	2.51	2.53	2.81	2.81	2.81	2.83	3.14	3.14	3.14	3.16	3.53	3.53	3.52	3.54	
	1250	MBh	41.8	42.4	43.6	45.5	41.5	42.0	43.3	45.2	40.4	41.0	42.2	44.1	38.5	39.1	40.3	42.2	36.3	36.8	38.1	40.0	34.2	34.8	36.0	37.9
		S/T	0.75	0.68	0.55	0.42	0.76	0.68	0.56	0.42	0.78	0.71	0.58	0.45	1.00	0.73	0.60	0.46	1.00	0.75	0.62	0.48	1.00	0.80	0.67	0.53
		ΔT	26	24	20	16	26	24	20	16	26	24	20	16	26	24	20	16	25	23	19	15	27	25	21	17
		Lo PR	117	119	122	127	124	126	129	134	131	132	135	140	136	137	140	145	141	142	145	150	147	149	152	157
	Hi PR	233	234	236	240	269	270	272	276	308	309	310	314	349	350	351	355	393	394	396	400	440	441	443	447	
Amps	7.3	7.3	7.2	7.3	8.3	8.3	8.3	8.4	9.5	9.5	9.5	9.6	10.8	10.8	10.8	10.8	12.2	12.2	12.2	12.2	13.9	13.9	13.9	14.0		
KW	2.01	2.01	2.01	2.02	2.26	2.25	2.25	2.27	2.53	2.53	2.52	2.54	2.82	2.82	2.82	2.83	3.15	3.15	3.14	3.16	3.54	3.53	3.53	3.55		
1400	MBh	42.4	43.0	44.3	46.1	42.1	42.7	43.9	45.8	41.0	41.6	42.8	44.7	39.1	39.7	41.0	42.8	36.9	37.5	38.7	40.6	34.8	35.4	36.6	38.5	
	S/T	0.78	0.71	0.58	0.45	0.79	0.72	0.59	0.45	0.81	0.74	0.61	0.48	1.00	0.76	0.63	0.49	1.00	0.78	0.65	0.52	1.00	0.83	0.70	0.56	
	ΔT	25	23	19	15	25	23	19	15	25	23	19	15	25	23	19	15	24	22	18	14	26	24	20	16	
	Lo PR	119	121	124	129	126	128	131	136	132	134	137	142	138	139	142	147	143	144	147	152	149	151	154	159	
Hi PR	235	236	237	242	271	272	274	278	309	310	312	316	351	352	353	357	395	396	398	402	442	443	445	449		
Amps	7.3	7.3	7.3	7.4	8.4	8.4	8.3	8.4	9.6	9.5	9.5	9.6	10.8	10.8	10.8	10.9	12.3	12.3	12.2	12.3	13.9	13.9	13.9	14.0		
KW	2.02	2.02	2.02	2.03	2.27	2.26	2.26	2.28	2.54	2.54	2.53	2.55	2.83	2.83	2.83	2.84	3.16	3.16	3.15	3.17	3.55	3.54	3.54	3.56		

IDB = Entering Indoor Dry Bulb Temperature
 High and low pressures are measured at the liquid and suction service valves.
 Shaded area reflects ACCA (TVA) conditions
 KW = Total system power
 Amps = outdoor unit amps (comp.+fan)

EXPANDED COOLING DATA – GSXC180601B*+CA*F4961*6D*+EEP+TXV LOW STAGE (CONT.)

IDB		OUTDOOR AMBIENT TEMPERATURE																																																																																																																																																																															
		65°F					75°F					85°F					95°F					105°F					115°F																																																																																																																																																						
		59	63	67	71	75	59	63	67	71	75	59	63	67	71	75	59	63	67	71	75	59	63	67	71	75	59	63	67	71	75																																																																																																																																																		
1150		MBh	41.7	42.3	43.5	45.4	41.3	41.9	43.1	45.0	40.2	40.8	42.0	43.9	38.4	39.0	40.2	42.1	36.1	36.7	37.9	39.8	34.0	34.6	35.9	37.7	S/T	0.84	0.76	0.64	0.50	1.00	0.77	0.64	0.51	1.00	0.79	0.67	0.53	1.00	0.81	0.68	0.55	1.00	0.83	0.70	0.57	1.00	1.00	1.00	0.75	0.62	ΔT	31	29	25	21	31	29	25	21	31	29	25	21	31	29	25	21	31	29	25	21	32	30	26	22	Lo PR	117	118	121	126	124	125	128	133	130	132	134	139	135	137	140	145	140	142	145	150	147	148	151	156	Hi PR	232	233	235	239	269	270	271	275	307	308	309	313	348	349	351	355	392	393	395	399	440	441	442	446	Amps	7.2	7.2	7.2	7.3	8.3	8.3	8.4	9.5	9.5	9.5	9.5	9.5	10.8	10.8	10.7	10.8	12.2	12.2	12.2	12.2	13.9	13.9	13.8	13.9	KW	2.00	2.00	2.00	2.02	2.25	2.25	2.24	2.26	2.52	2.52	2.51	2.53	2.82	2.81	2.81	2.83	3.14	3.14	3.14	3.16	3.53	3.53	3.52	3.54
80		MBh	42.0	42.6	43.9	45.7	41.7	42.3	43.5	45.4	40.6	41.2	42.4	44.3	38.7	39.3	40.6	42.4	36.5	37.1	38.3	40.2	34.4	35.0	36.2	38.1	S/T	0.87	0.80	0.67	0.53	1.00	0.80	0.68	0.54	1.00	0.83	0.70	0.56	1.00	0.85	0.72	0.58	1.00	0.87	0.74	0.60	1.00	1.00	1.00	0.79	0.65	ΔT	30	28	24	20	30	28	24	20	31	28	25	21	30	28	24	20	30	28	24	20	31	29	25	21	Lo PR	118	119	122	127	125	126	129	134	131	133	136	140	136	138	141	146	142	143	146	151	148	149	152	157	Hi PR	233	234	236	240	270	271	273	277	308	309	311	315	349	350	352	356	393	394	396	400	441	442	443	447	Amps	7.3	7.3	7.2	7.3	8.3	8.3	8.4	9.6	9.5	9.5	9.5	9.6	10.8	10.8	10.8	10.9	12.2	12.2	12.2	12.3	13.9	13.9	13.9	14.0	KW	2.01	2.01	2.01	2.03	2.26	2.25	2.25	2.27	2.53	2.53	2.52	2.54	2.82	2.82	2.82	2.84	3.15	3.15	3.15	3.16	3.54	3.54	3.53	3.55
1400		MBh	42.7	43.2	44.5	46.4	42.3	42.9	44.1	46.0	41.2	41.8	43.0	44.9	39.4	39.9	41.2	43.1	37.1	37.7	38.9	40.8	35.0	35.6	36.8	38.7	S/T	0.90	0.83	0.70	0.57	1.00	0.83	0.71	0.57	1.00	0.86	0.73	0.59	1.00	0.88	0.75	0.61	1.00	0.90	0.77	0.63	1.00	1.00	1.00	0.82	0.68	ΔT	29	27	23	19	29	27	23	19	30	27	24	20	29	27	23	19	29	27	23	19	30	28	24	20	Lo PR	120	121	124	129	127	128	131	136	133	134	137	142	138	140	143	148	143	145	148	153	150	151	154	159	Hi PR	235	236	238	242	272	273	274	278	310	311	313	317	351	352	354	358	395	396	398	402	443	444	445	449	Amps	7.3	7.3	7.3	7.4	8.4	8.4	8.4	8.4	9.6	9.6	9.5	9.6	10.8	10.8	10.8	10.9	12.3	12.3	12.2	12.3	13.9	13.9	13.9	14.0	KW	2.02	2.02	2.02	2.04	2.27	2.26	2.26	2.28	2.54	2.54	2.53	2.55	2.83	2.83	2.83	2.85	3.16	3.16	3.16	3.17	3.55	3.55	3.54	3.56

1150		MBh	42.4	43.0	44.2	46.1	42.0	42.6	43.8	45.7	40.9	41.5	42.7	44.6	39.1	39.7	40.9	42.8	36.8	37.4	38.6	40.5	34.7	35.3	36.6	38.4	S/T	1.00	0.86	0.73	0.60	1.00	0.87	0.74	0.60	1.00	0.89	0.76	0.63	1.00	1.00	1.00	0.78	0.64	1.00	1.00	0.80	0.67	1.00	1.00	0.85	0.71	ΔT	35	33	29	25	35	33	29	25	35	33	29	25	35	33	29	25	35	33	29	25	36	34	30	26	Lo PR	119	120	123	128	126	127	130	135	132	133	136	141	137	138	141	146	142	144	147	151	149	150	153	158	Hi PR	233	234	236	240	270	271	272	276	308	309	311	315	349	350	352	356	393	394	396	400	441	442	443	447	Amps	7.3	7.3	7.2	7.3	8.3	8.3	8.3	8.4	9.5	9.5	9.5	9.6	10.8	10.8	10.8	10.8	12.2	12.2	12.2	12.3	13.9	13.9	13.9	14.0	KW	2.01	2.01	2.00	2.02	2.25	2.25	2.25	2.27	2.53	2.52	2.52	2.54	2.82	2.82	2.81	2.83	3.15	3.15	3.15	3.14	3.53	3.53	3.53	3.55
85		MBh	42.7	43.3	44.5	46.4	42.4	42.9	44.2	46.1	41.3	41.9	43.1	45.0	39.4	40.0	41.2	43.1	37.2	37.8	39.0	40.9	35.1	35.7	36.9	38.8	S/T	1.00	0.89	0.76	0.63	1.00	0.90	0.77	0.64	1.00	0.92	0.79	0.66	1.00	1.00	1.00	0.81	0.68	1.00	1.00	0.83	0.70	1.00	1.00	0.88	0.75	ΔT	34	32	28	24	34	32	28	24	35	33	29	25	34	32	28	24	34	32	28	24	35	33	29	25	Lo PR	120	121	124	129	127	128	131	136	133	134	137	142	138	140	143	147	143	145	148	153	150	151	154	159	Hi PR	235	236	237	241	271	272	274	278	309	310	312	316	350	351	353	357	395	396	397	401	442	443	444	449	Amps	7.3	7.3	7.3	7.3	8.4	8.3	8.3	8.4	9.5	9.5	9.5	9.6	10.8	10.8	10.8	10.9	12.2	12.2	12.2	12.3	13.9	13.9	13.9	14.0	KW	2.02	2.02	2.01	2.03	2.26	2.26	2.25	2.27	2.53	2.53	2.53	2.55	2.83	2.83	2.82	2.84	3.16	3.16	3.15	3.15	3.54	3.54	3.54	3.56
1400		MBh	43.4	43.9	45.2	47.1	43.0	43.6	44.8	46.7	41.9	42.5	43.7	45.6	40.1	40.6	41.9	43.8	37.8	38.4	39.6	41.5	35.7	36.3	37.5	39.4	S/T	1.00	0.92	0.80	0.66	1.00	0.93	0.80	0.67	1.00	1.00	0.83	0.69	1.00	1.00	1.00	0.84	0.71	1.00	1.00	0.86	0.73	1.00	1.00	0.91	0.78	ΔT	33	31	27	23	33	31	27	23	34	32	28	24	33	31	27	23	33	31	27	23	34	32	28	24	Lo PR	122	123	126	131	129	130	133	138	135	136	139	144	140	141	144	149	145	146	149	154	151	153	156	161	Hi PR	236	237	239	243	273	274	275	279	311	312	314	318	352	353	355	359	396	397	399	403	444	445	446	450	Amps	7.3	7.3	7.3	7.4	8.4	8.4	8.4	8.5	9.6	9.6	9.6	9.6	10.9	10.9	10.8	10.9	12.3	12.3	12.3	12.3	14.0	14.0	13.9	14.0	KW	2.03	2.03	2.02	2.04	2.27	2.27	2.27	2.28	2.54	2.54	2.54	2.56	2.84	2.84	2.83	2.85	3.17	3.16	3.16	3.16	3.55	3.55	3.55	3.57

IDB = Entering Indoor Dry Bulb Temperature
 High and low pressures are measured at the liquid and suction service valves.
 Shaded area reflects AHRI (TVA) conditions
 kW = Total system power
 Amps = outdoor unit amps (comp.+fan)

IDB	AIRFLOW	OUTDOOR AMBIENT TEMPERATURE																																			
		65°F						75°F						85°F						95°F						105°F						115°F					
		59	63	67	71	59	63	67	71	59	63	67	71	59	63	67	71	59	63	67	71	59	63	67	71	59	63	67	71								
70	MBh	58.1	58.9	60.7	-	57.6	58.4	60.1	-	56.1	56.9	58.6	-	53.5	54.4	56.1	-	50.4	51.2	52.9	-	47.5	48.3	50.0	-												
	S/T	0.61	0.54	0.42	-	0.62	0.55	0.42	-	0.64	0.57	0.45	-	0.66	0.59	0.46	-	0.68	0.61	0.48	-	1.00	0.66	0.53	-												
	ΔT	22	20	16	-	22	20	16	-	22	20	16	-	22	20	16	-	22	19	15	-	23	21	17	-												
	Lo PR	114	116	118	-	121	122	125	-	127	128	131	-	132	134	136	-	137	139	141	-	143	145	148	-												
	Hi PR	244	245	246	-	282	283	284	-	322	323	324	-	365	366	367	-	411	412	414	-	460	461	463	-												
	Amps	11.6	11.6	11.5	-	13.2	13.2	13.2	-	15.1	15.1	15.1	-	17.2	17.2	17.1	-	19.4	19.4	19.4	-	22.1	22.1	22.1	-												
KW	3.20	3.20	3.19	-	3.59	3.58	3.58	-	4.02	4.02	4.01	-	4.49	4.49	4.48	-	5.01	5.01	5.00	-	5.63	5.62	5.62	-													
70	MBh	58.7	59.5	61.2	-	58.2	59.0	60.7	-	56.7	57.5	59.2	-	54.1	54.9	56.6	-	51.0	51.8	53.5	-	48.1	48.9	50.6	-												
	S/T	0.63	0.56	0.44	-	0.64	0.57	0.45	-	0.66	0.59	0.47	-	0.68	0.61	0.49	-	0.70	0.63	0.51	-	1.00	0.68	0.55	-												
	ΔT	21	19	15	-	21	19	15	-	21	19	15	-	21	19	15	-	21	19	15	-	22	20	16	-												
	Lo PR	115	117	120	-	122	124	127	-	128	130	133	-	133	135	138	-	138	140	143	-	145	146	149	-												
	Hi PR	245	246	248	-	283	284	286	-	323	324	326	-	366	367	369	-	412	413	415	-	462	463	464	-												
	Amps	11.6	11.6	11.6	-	13.3	13.3	13.3	-	15.2	15.2	15.1	-	17.2	17.2	17.2	-	19.5	19.5	19.4	-	22.2	22.1	22.1	-												
KW	3.21	3.21	3.20	-	3.60	3.60	3.59	-	4.03	4.03	4.02	-	4.50	4.50	4.49	-	5.02	5.02	5.01	-	5.64	5.63	5.63	-													
1750	MBh	59.5	60.3	62.0	-	59.0	59.8	61.5	-	57.5	58.3	60.0	-	54.9	55.7	57.5	-	51.8	52.6	54.3	-	48.9	49.7	51.4	-												
	S/T	0.65	0.58	0.46	-	0.66	0.59	0.46	-	0.68	0.61	0.48	-	0.70	0.63	0.50	-	0.72	0.65	0.52	-	1.00	0.69	0.57	-												
	ΔT	20	18	14	-	20	18	14	-	21	18	14	-	20	18	14	-	20	18	14	-	21	19	15	-												
	Lo PR	117	118	121	-	124	125	128	-	130	131	134	-	135	136	139	-	140	141	144	-	146	148	150	-												
	Hi PR	246	248	249	-	285	286	287	-	325	326	327	-	368	369	370	-	414	415	417	-	463	464	466	-												
	Amps	11.7	11.7	11.6	-	13.4	13.3	13.3	-	15.2	15.2	15.2	-	17.3	17.3	17.2	-	19.5	19.5	19.5	-	22.2	22.2	22.2	-												
KW	3.22	3.22	3.21	-	3.61	3.61	3.60	-	4.04	4.04	4.03	-	4.51	4.51	4.50	-	5.04	5.03	5.03	-	5.65	5.64	5.64	-													

IDB	AIRFLOW	OUTDOOR AMBIENT TEMPERATURE																																			
		65°F						75°F						85°F						95°F						105°F						115°F					
		59	63	67	71	59	63	67	71	59	63	67	71	59	63	67	71	59	63	67	71	59	63	67	71	59	63	67	71								
75	MBh	58.2	59.0	60.7	63.3	57.7	58.5	60.2	62.8	56.2	57.0	58.7	61.3	53.6	54.4	56.1	58.7	50.4	51.2	53.0	55.6	47.6	48.4	50.1	52.7												
	S/T	0.73	0.66	0.54	0.40	0.74	0.67	0.54	0.41	0.76	0.69	0.57	0.43	0.78	0.71	0.58	0.45	1.00	0.73	0.60	0.47	1.00	0.78	0.65	0.52												
	ΔT	27	25	21	16	27	24	20	16	27	25	21	17	27	24	20	16	26	24	20	16	28	25	21	17												
	Lo PR	114	116	119	123	121	122	125	130	127	128	131	136	132	134	136	141	137	139	141	146	143	145	148	152												
	Hi PR	244	245	247	251	282	283	285	289	322	323	325	329	365	366	368	372	411	412	414	418	461	462	463	468												
	Amps	11.6	11.5	11.5	11.6	13.2	13.2	13.2	13.3	15.1	15.1	15.1	15.2	17.2	17.1	17.1	17.2	19.4	19.4	19.4	19.5	22.1	22.1	22.1	22.2												
KW	3.20	3.19	3.19	3.22	3.59	3.58	3.58	3.61	4.02	4.01	4.01	4.04	4.49	4.48	4.48	4.51	5.01	5.01	5.00	5.03	5.62	5.62	5.61	5.64													
75	MBh	58.7	59.5	61.3	63.9	58.2	59.0	60.7	63.4	56.7	57.5	59.3	61.9	54.1	55.0	56.7	59.3	51.0	51.8	53.5	56.1	48.1	48.9	50.6	53.3												
	S/T	0.75	0.68	0.56	0.43	0.76	0.69	0.56	0.43	0.78	0.71	0.59	0.46	1.00	0.73	0.61	0.47	1.00	0.75	0.63	0.49	1.00	0.80	0.67	0.54												
	ΔT	26	24	20	16	26	24	20	16	26	24	20	16	26	24	20	16	26	23	19	15	27	25	21	17												
	Lo PR	115	117	120	124	122	124	127	131	128	130	133	137	133	135	138	142	138	140	143	147	145	146	149	154												
	Hi PR	245	246	248	252	283	284	286	290	323	324	326	330	366	367	369	373	412	413	415	419	462	463	465	469												
	Amps	11.6	11.6	11.6	11.7	13.3	13.3	13.2	13.4	15.2	15.2	15.1	15.3	17.2	17.2	17.2	17.3	19.5	19.5	19.4	19.6	22.1	22.1	22.1	22.2												
KW	3.21	3.21	3.20	3.23	3.60	3.59	3.59	3.62	4.03	4.03	4.02	4.05	4.50	4.49	4.49	4.52	5.02	5.02	5.01	5.04	5.63	5.63	5.62	5.65													
1750	MBh	59.6	60.4	62.1	64.7	59.0	59.8	61.6	64.2	57.5	58.3	60.1	62.7	55.0	55.8	57.5	60.1	51.8	52.6	54.3	57.0	48.9	49.7	51.5	54.1												
	S/T	0.77	0.70	0.57	0.44	0.78	0.71	0.58	0.45	0.80	0.73	0.60	0.47	1.00	0.75	0.62	0.49	1.00	0.77	0.64	0.51	1.00	0.81	0.69	0.56												
	ΔT	25	23	19	15	25	23	19	15	25	23	19	15	25	23	19	15	25	23	19	14	26	24	20	16												
	Lo PR	117	118	121	126	124	125	128	133	130	131	134	139	135	136	139	144	140	141	144	149	146	148	150	155												
	Hi PR	247	248	249	254	285	286	288	292	325	326	327	332	368	369	370	375	414	415	417	421	464	465	466	470												
	Amps	11.7	11.6	11.6	11.7	13.3	13.3	13.3	13.4	15.2	15.2	15.2	15.3	17.3	17.2	17.2	17.3	19.5	19.5	19.5	19.6	22.2	22.2	22.2	22.3												
KW	3.22	3.22	3.21	3.24	3.61	3.61	3.60	3.63	4.04	4.04	4.03	4.06	4.51	4.51	4.50	4.53	5.03	5.03	5.02	5.05	5.65	5.64	5.64	5.67													

IDB = Entering Indoor Dry Bulb Temperature
 High and low pressures are measured at the liquid and suction service valves.
 Shaded area reflects ACCA (TVA) conditions
 kW = Total system power
 Amps = outdoor unit amps (comp.+fan)

IDB	AIRFLOW	OUTDOOR AMBIENT TEMPERATURE															115°F										
		65°F					75°F					85°F						95°F					105°F				
		59	63	67	71		59	63	67	71		59	63	67	71			59	63	67	71		59	63	67	71	
80	1480	Mbh	58.5	59.3	61.0	63.6	58.0	58.8	60.5	63.1	56.5	57.3	59.0	61.6	53.9	54.7	56.4	59.0	50.7	51.5	53.3	55.9	47.9	48.7	50.4	53.0	
		S/T	0.85	0.78	0.65	0.52	0.85	0.78	0.66	0.53	1.00	0.80	0.68	0.55	1.00	0.82	0.70	0.57	1.00	0.84	0.72	0.59	1.00	0.89	0.77	0.63	
		ΔT	31	29	25	21	31	29	25	21	32	30	26	21	31	29	25	21	31	29	25	21	32	30	26	22	
	1600	Lo PR	115	116	119	124	122	123	126	131	128	129	132	137	133	134	137	142	138	139	142	147	144	145	148	153	
		Hi PR	244	245	247	251	282	283	285	289	322	323	325	329	365	366	368	372	412	413	414	419	461	462	464	468	
		Amps	11.6	11.5	11.5	11.6	13.2	13.2	13.3	13.3	15.1	15.1	15.1	15.2	17.2	17.2	17.1	17.3	19.4	19.4	19.4	19.5	22.1	22.1	22.1	22.2	
	1750	Mbh	59.0	59.8	61.6	64.2	58.5	59.3	61.0	63.7	57.0	57.8	59.5	62.2	54.4	55.3	57.0	59.6	51.3	52.1	53.8	56.4	48.4	49.2	50.9	53.6	
		S/T	0.87	0.80	0.67	0.54	1.00	0.80	0.68	0.55	1.00	0.83	0.70	0.57	1.00	0.85	0.72	0.59	1.00	0.87	0.74	0.61	1.00	1.00	0.79	0.66	
		ΔT	31	29	25	20	31	28	24	20	31	29	25	21	31	28	24	20	30	28	24	20	32	30	26	21	
	85	1480	Lo PR	118	119	122	127	124	126	129	133	130	132	135	139	135	137	140	144	140	142	145	149	147	148	151	156
			Hi PR	247	248	250	254	285	286	288	292	325	326	328	332	368	369	371	375	415	416	417	421	464	465	467	471
			Amps	11.7	11.6	11.6	11.7	13.3	13.3	13.4	13.4	15.2	15.2	15.2	15.3	17.3	17.3	17.2	17.4	19.5	19.5	19.5	19.6	22.2	22.2	22.2	22.3
		1600	Mbh	59.4	60.2	62.0	64.6	58.9	59.7	61.4	64.1	57.4	58.2	59.9	62.6	54.8	55.7	57.4	60.0	51.7	52.5	54.2	56.8	48.8	49.6	51.3	54.0
			S/T	1.00	0.87	0.74	0.61	1.00	0.88	0.75	0.62	1.00	0.90	0.77	0.64	1.00	1.00	0.79	0.66	1.00	1.00	0.81	0.68	1.00	1.00	0.86	0.73
			ΔT	36	33	29	25	36	33	29	25	36	34	30	26	36	33	29	25	35	33	29	25	37	34	30	26
1750		Lo PR	116	118	121	125	123	125	128	132	129	131	134	138	134	136	139	143	139	141	144	148	146	147	150	155	
		Hi PR	245	246	248	252	283	285	286	290	323	324	326	330	366	367	369	373	413	414	415	420	462	463	465	469	
		Amps	11.6	11.6	11.6	11.7	13.3	13.3	13.2	13.4	15.2	15.1	15.1	15.2	17.2	17.2	17.2	17.3	19.5	19.5	19.4	19.6	22.1	22.1	22.1	22.2	
88		1480	Mbh	60.0	60.8	62.5	65.1	59.5	60.3	62.0	64.6	58.0	58.8	60.5	63.1	55.4	56.2	57.9	60.6	52.3	53.1	54.8	57.4	49.4	50.2	51.9	54.5
			S/T	1.00	0.89	0.77	0.64	1.00	0.90	0.77	0.64	1.00	0.92	0.80	0.66	1.00	1.00	0.81	0.68	1.00	1.00	0.83	0.70	1.00	1.00	0.88	0.75
			ΔT	35	33	29	25	35	33	29	25	35	33	29	25	35	33	29	25	35	32	28	24	36	34	30	26
		1600	Lo PR	118	119	122	127	124	126	129	134	130	132	135	140	136	137	140	145	141	142	145	150	147	148	151	156
			Hi PR	247	248	249	254	285	286	287	292	325	326	327	332	368	369	370	375	414	415	417	421	463	465	466	470
			Amps	11.6	11.6	11.6	11.7	13.3	13.3	13.3	13.4	15.2	15.2	15.2	15.3	17.2	17.2	17.2	17.3	19.5	19.5	19.5	19.6	22.2	22.2	22.2	22.3
	1750	Mbh	60.8	61.6	63.3	66.0	60.3	61.1	62.8	65.4	58.8	59.6	61.3	63.9	56.2	57.0	58.8	61.4	53.1	53.9	55.6	58.2	50.2	51.0	52.7	55.3	
		S/T	1.00	0.91	0.78	0.65	1.00	0.91	0.79	0.66	1.00	0.94	0.81	0.68	1.00	1.00	0.83	0.70	1.00	1.00	0.85	0.72	1.00	1.00	0.90	0.77	
		ΔT	34	32	28	24	34	32	28	24	34	32	28	24	34	32	28	24	34	32	28	23	35	33	29	25	

IDB = Entering Indoor Dry Bulb Temperature
 High and low pressures are measured at the liquid and suction service valves.
 Shaded area reflects AHRI (TVA) conditions
 kW = Total system power
 Amps = outdoor unit amps (comp. +fan)

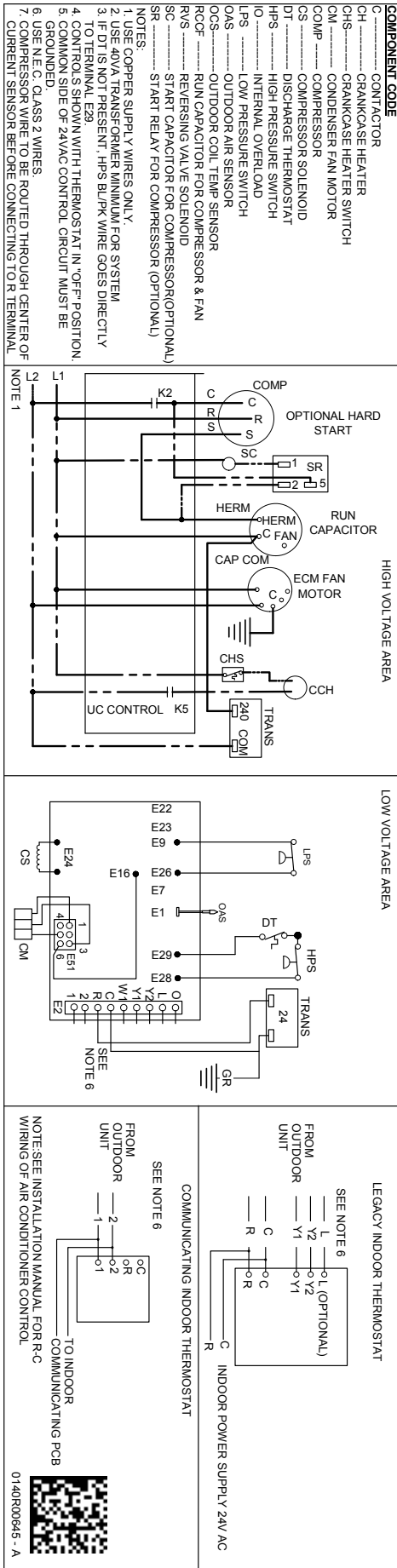
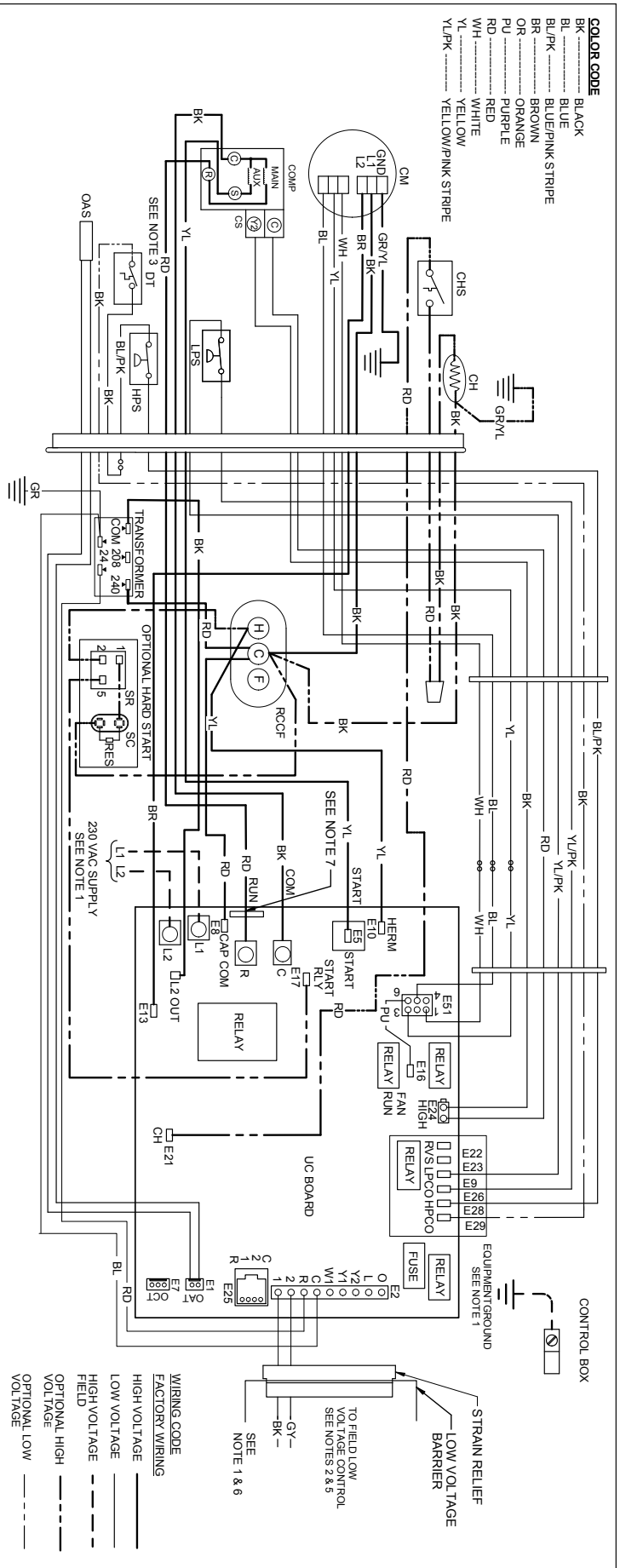


High Voltage: Disconnect all power before servicing or installing this unit. Multiple power sources may be present. Failure to do so may cause property damage, personal injury, or death.

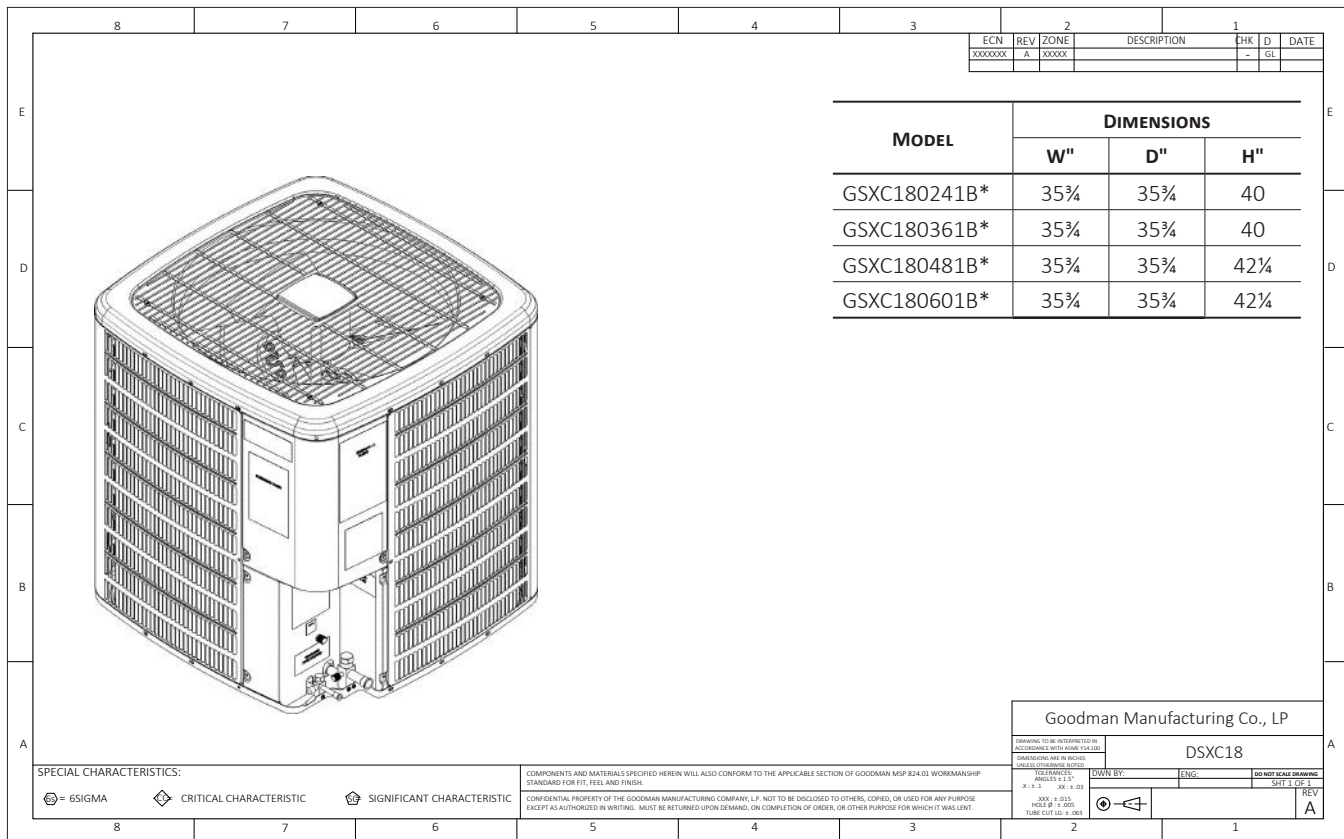
WARNING



Wiring is subject to change. Always refer to the wiring diagram on the unit for the most up-to-date wiring.



DIMENSIONS



ACCESSORIES

MODEL	DESCRIPTION	GSXC18 024	GSXC18 036	GSXC18 048	GSXC18 060
ABK-20 ¹	Anchor Bracket Kit	X	X	X	X
ASC-01	Anti-Short Cycle Kit	X	X	X	X
CSR-U-1	Hard-start Kit	X	X		
CSR-U-2	Hard-start Kit			X	
CSR-U-3	Hard-start Kit				X
FSK01A ²	Freeze Protection Kit	X	X	X	X
LSK02A	Liquid Line Solenoid Valve	X	X	X	X
TX2N4 ³	TXV kit	X			
TX3N4 ³	TXV kit		X		
TX5N4 ³	TXV kit			X	X

Note: Maximum number of installed accessories at the same time is limited by the size of the unit's control box.

- ¹ Contains 20 brackets; four brackets needed to anchor unit to pad
- ² Installed on indoor coil
- ³ Condensing units and heat pumps with reciprocating or rotary compressors require the use of start-assist components when used in conjunction with an indoor coil using a non-bleed thermal expansion valve refrigerant metering device or liquid solenoid kit. The TXV should always be sized based on the tonnage of the outdoor unit.

All AHRI system ratings are accessible in the System Configurator tool via PartnerLink.

Goodman Manufacturing Company, L.P., reserves the right to discontinue, or change at any time, specifications or designs without notice or without incurring obligations. © 2019 Goodman Manufacturing Company, L.P. • Houston, Texas • Printed in the USA.